

PowerRail

PowerRail Engine Systems for New and Remanufactured Engines and Engine Components

PowerRail Engine Systems, a full-service locomotive engine company, is your one-stop shop for new and remanufactured engines and engine components.

PowerRail Engine Systems offers rebuilt engines, as well as new and remanufactured power assemblies, governors, turbochargers, water, fuel, and oil pumps, and other engine related components. The company's complete line of products provides true reliability and quality for all demanding applications, supporting both EMD and GE engines, including Tier 0+ Emission Kits.

In addition, PowerRail Engine Systems is approved by Class 1s, regional lines, short lines, and passenger transits across the USA and internationally. With an experienced staff and quality workmanship, PowerRail is an AAR M-1003 quality certified company. Utilising an OEM verification process and the SolidWorks CAD system, PowerRail's engineering staff completes full product development, enhanced designs and failure analysis.

Power Assemblies

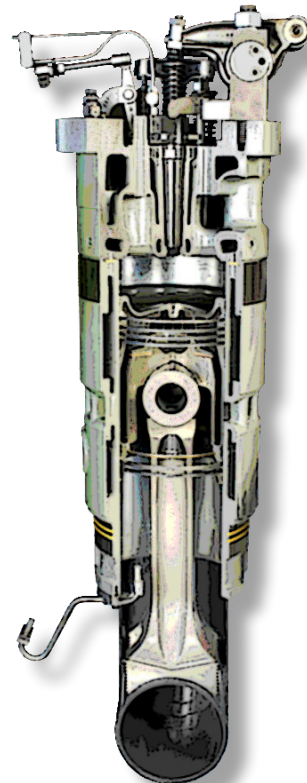
One of PowerRail Engine Systems' key product lines is the power assembly. Its complete line of premium new and remanufactured power assemblies, HLPs, cylinder heads and other related parts are machined and assembled in the United States. All raw materials undergo extensive testing to ensure they meet or exceed current OEM specifications.

Before shipment, each power assembly undergoes a 39-point inspection and documentation to ensure

quality conformance. All water jackets are thoroughly inspected via bore scope to ensure no debris or casting sand remains. State of the art casting techniques are used to reduce porosity and maintain adequate coolant flow.

Governors

Another of PowerRail Engine Systems' popular product lines is their Woodward certified governors. Woodward governors provide proven reliability that improve the life of the Unit and reduce unplanned downtime.



Power Assembly

With PowerRail Engine Systems' governors, the highest-quality standards and requirements are factory-audited, ensuring strict compliance. Only genuine Woodward parts and certified, calibrated tools and test stands are used. A complete disassembly, bench inspection, comprehensive cleaning, reassembly and testing to OEM specifications occurs with each governor to ensure Woodward requirements are met.

PowerRail offers unit exchange, repair/return or new governors. All are rebuilt and tested by certified Woodward governor specialists, then calibrated to OEM specifications. PowerRail works to ensure a large inventory of unit exchange governors are on-hand, ready to ship.

Injectors

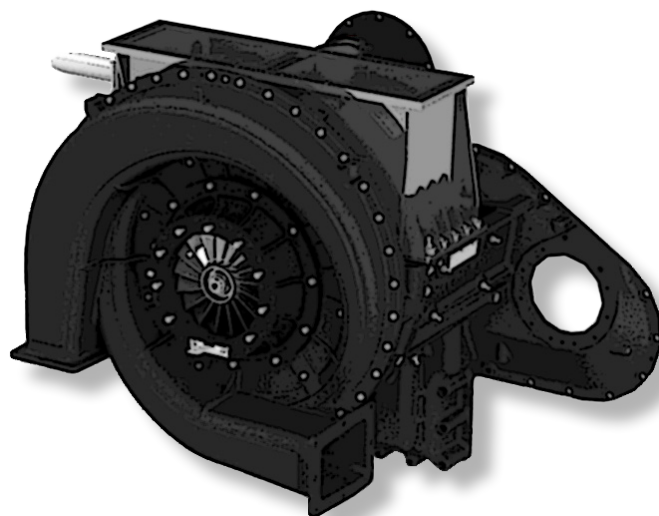
PowerRail Engine Systems proudly offers injectors and injector components for EMD and GE engines. Its complete line is comprised of new and unit-exchange injectors and pumps, including the ECOTIP® injector. Designed to reduce smoke and save fuel, this injector is available for all EMD engine applications with mechanical fuel injection. Over the years, the ECOTIP® technology has helped customers achieve the lower emissions necessary to meet strict EPA guidelines.

Turbochargers

Another one of PowerRail Engine Systems' key product lines is the turbocharger. PowerRail Engine Systems proudly offers a complete line of new and unit exchange EMD and GE turbochargers, as well as certified EPA equivalent replacements. Our turbos are Class I approved and made with AAR quality parts by experienced staff. In addition, you will receive full technical support, access to a complete line of support products, all at a competitive price.

Since its inception in 2003, PowerRail has grown to become a vital partner to many railroads across the globe, providing the parts and components needed for repairs, standard maintenance and upgrades to locomotive fleets.

PowerRail is a United States-based company, with several locations in various parts of the world. Celebrating its 20th anniversary this year, PowerRail proudly offers a wide range of new and rebuilt rail-related parts and components including bearings and journal boxes, electrical rotating parts, engine



Turbocharger

components, compressors, pumps and motors, from its various manufacturing facilities across the US. In addition, PowerRail offers locomotive rebuilds, overhauls and mobile maintenance at its locomotive shop. PowerRail also serves as a global supplier with locations in Europe and Australia.

Click or scan the QR code to download the PowerRail Engine Systems Catalog



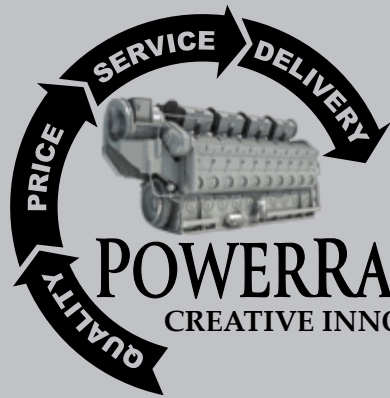
For more information contact PowerRail

www.epowerrail.com

sales@epowerrail.com

570-883-7005

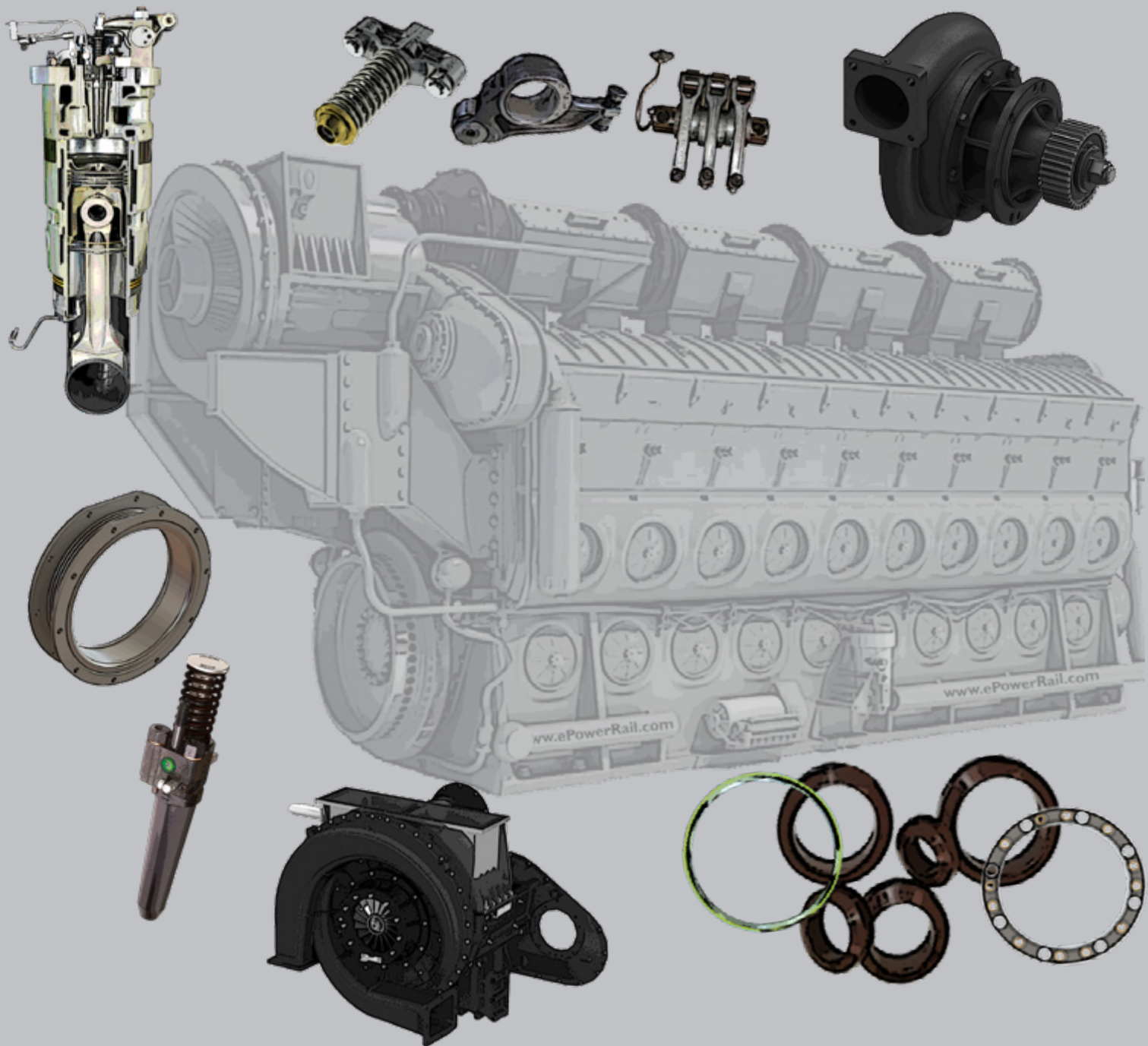




Your Global Supply Chain for
Engine Overhaul Components

POWERRAIL ENGINE SYSTEMS

CREATIVE INNOVATIONS...CONTINUING TRADITION



Sales@ePowerRail.com
570-883-7005

WWW.ePowerRail.Com

Download the
PowerRail Engine
Systems Catalog



SCAN ME