

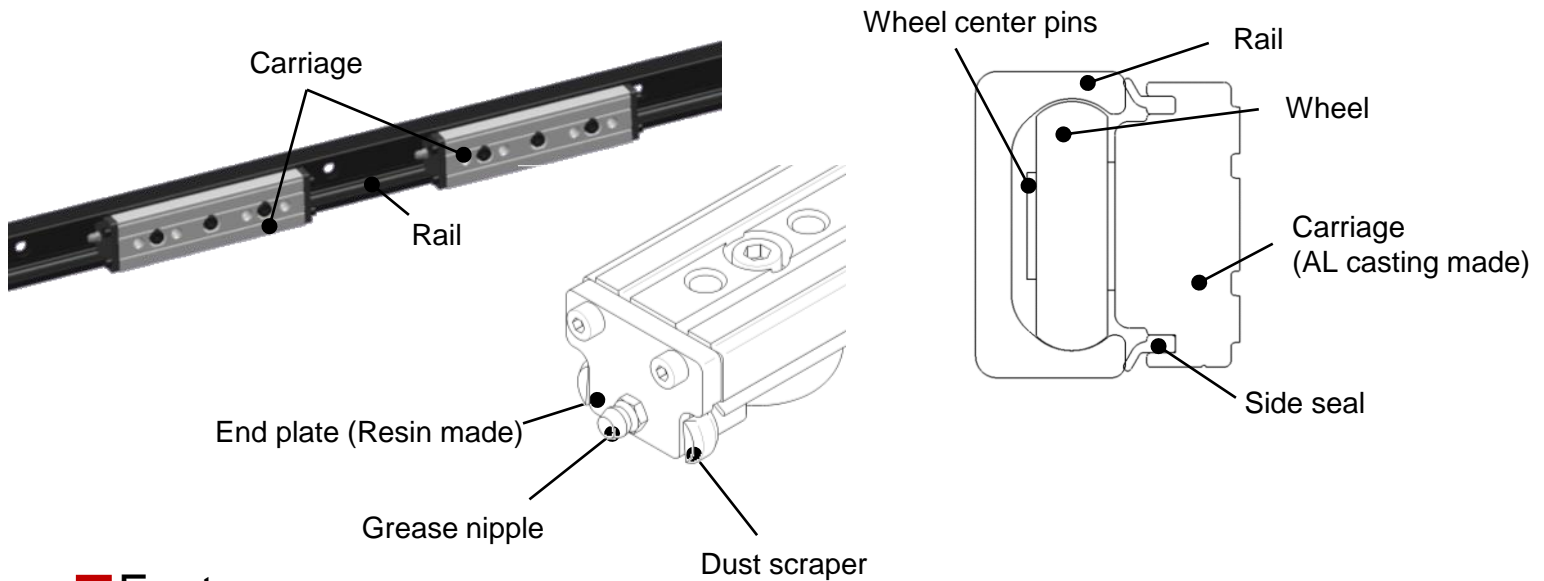
# Utility Slide

Wheel Type **ARG**



## ■ Structure

The ARG carriage specialized in the use of slide door application on a vehicles with heavy load due to use of high carbon steel with hardening and special shape Wheels.



## ■ Feature

### ▪ Adjustability of miss-alignment

THK core technology for LM Guide “Circular-Arc Contact”, ARG has high adjustability of mounting-error even on a rough surface.

### ▪ High load capacity & Long service life

THK core technology for LM Guide “Circular-Arc Contact” with hardened steel material.

### ▪ Easy to maintain

Equipped with a “Scraper and Side seals”, maintenance is only with Grease.

## ■ Nominal Load Capacity

Radial permissible load and radial static load per bearing.

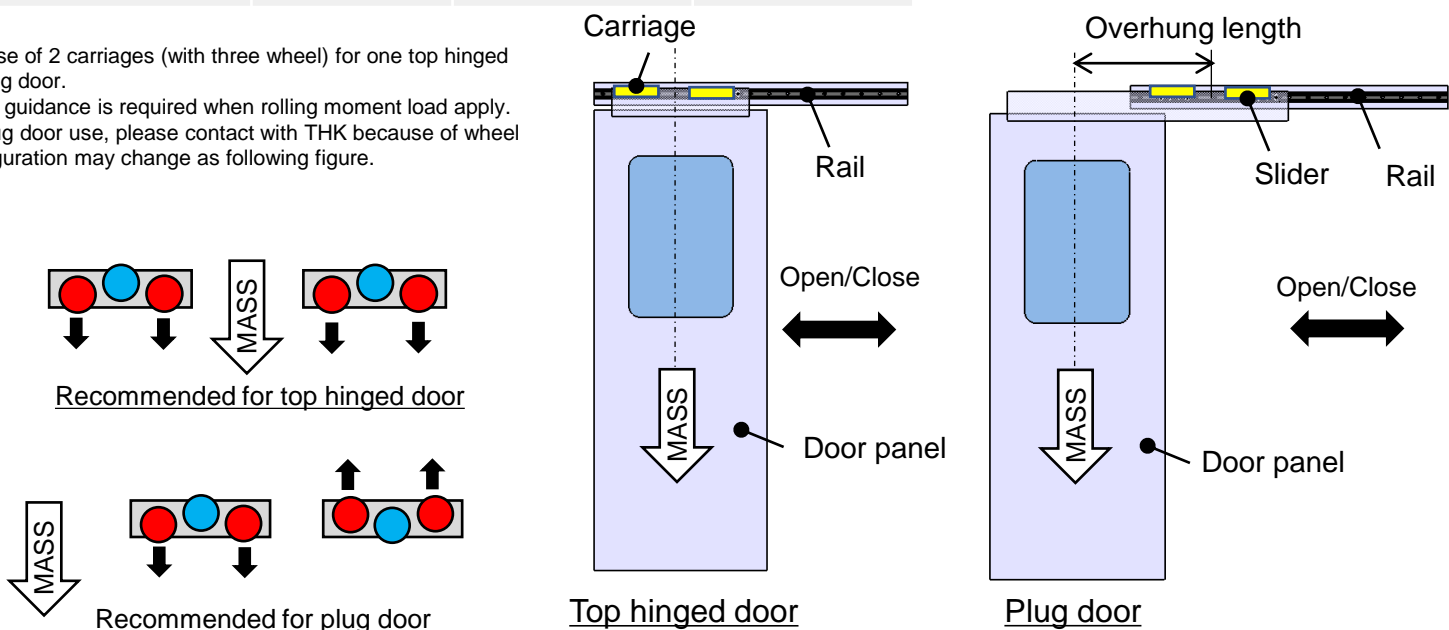
Type	ARG28	ARG35	ARG43
Permissible load※4	235	604	967
Static load	1050	1950	3050

\*4 Permissible load: 5000km operable load

※ In case of 2 carriages (with three wheel) for one top hinged sliding door.

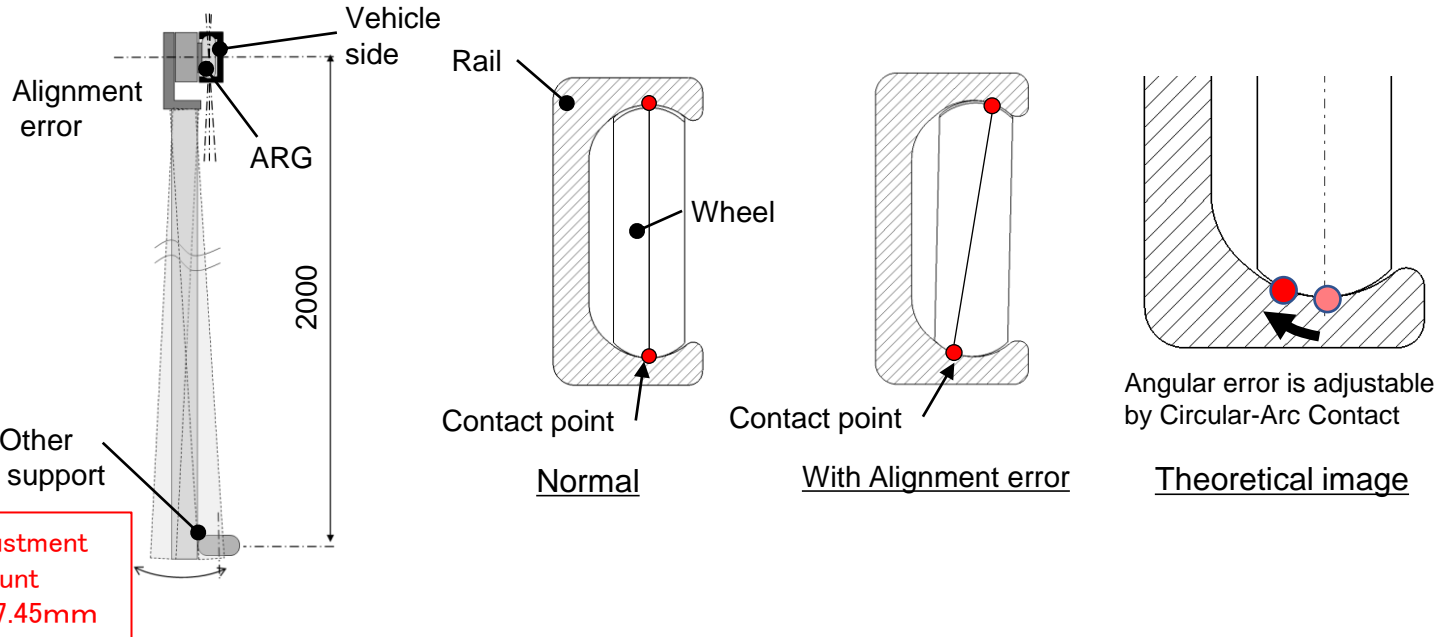
※ other guidance is required when rolling moment load apply.

※ In plug door use, please contact with THK because of wheel configuration may change as following figure.



## Alignment effect of miss-alignment

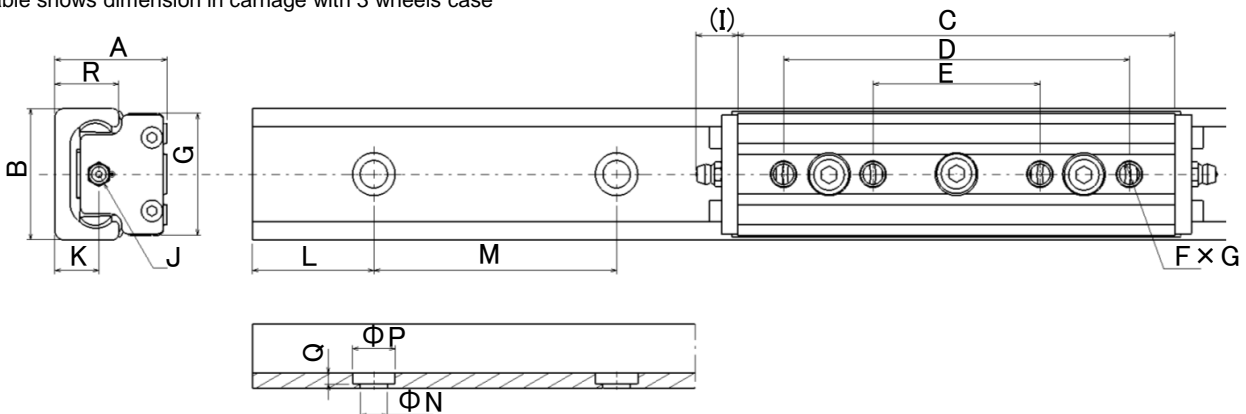
THK core technology for LM Guide "Circular-Arc Contact", ARG has high adjustability of mounting-error even on a rough surface, in Mc direction especially. Due to this effect, smooth motion of carriages are secured.



## Dimension table of ARG

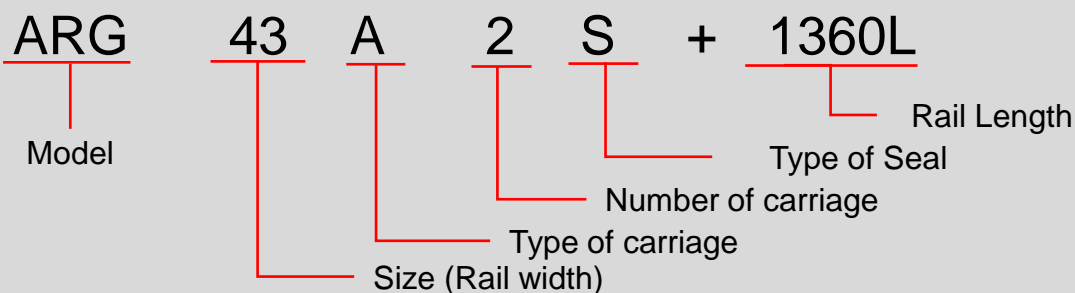
Type	Assembly size			Carriage size							Rail size				
	A	B	C	D	E	F × G	H	(I)	J: Grease Nipple	K	L	M	N × P × Q	R	
ARG28	24	28	96	78	35	M5 × 12.5	25	15.9	B-M4	8	40	80	6 × 9.5 × 2	12.5	
ARG35	30	35	120	100	45	M6 × 14	32	13.5	A-M6F	11.1	40	80	7 × 11 × 2.7	16	
ARG43	37	43	144	114	55	M8 × 15	40	13.5	A-M6F	15	40	80	9 × 14 × 3.6	21	

This table shows dimension in carriage with 3 wheels case



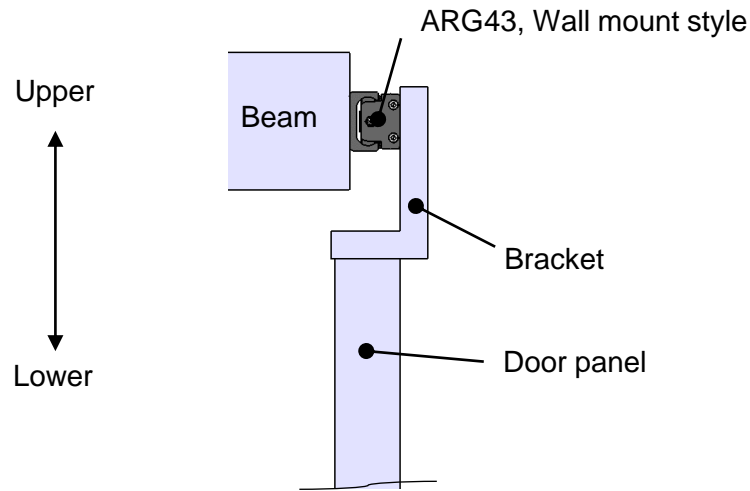
Maximum rail length ~ 1400mm

## Model Number Coding



## ■ Mounting configuration

Wall mount style with single rail on multiple carriages are recommended.  
Unless otherwise, please contact with THK.

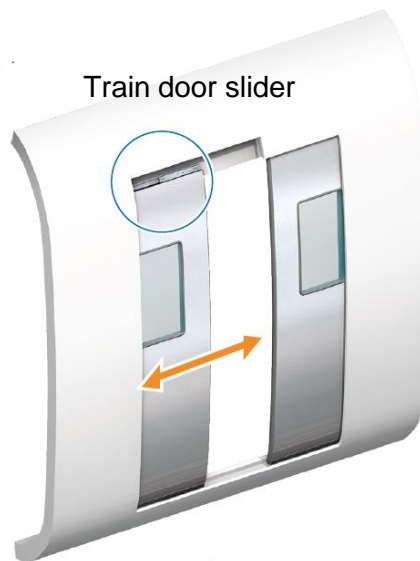


## ■ Applications

### ■ Railway applications

Train door slider

### Image



### ⚠ NOTICE

- Appearance and specifications may change due to improvement without any notification.
- THK basic policy requires to be compliant with Foreign Exchange, Foreign Trade Act, laws and regulations for the export of products and technologies.
- Please contact THK in case you want to export the product to foreign countries and you are not sure concerning the laws and regulations.

THK CO., LTD.

Headquarters : 2-12-10 Shibaura, Minato-ku, Tokyo 108-8506, JAPAN

Business Development Department :

Phone +81-3-5730-3873

www.thk.com

**THK CO., LTD.**