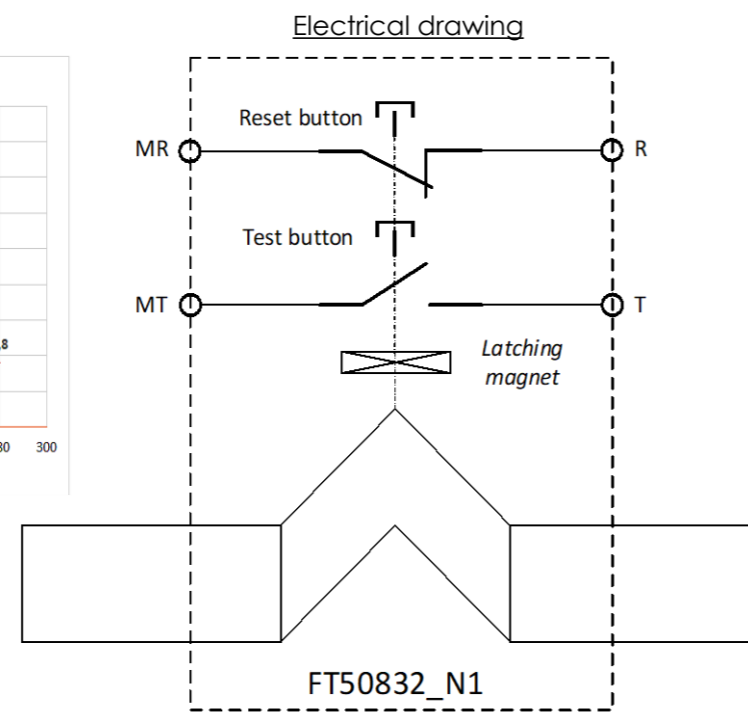
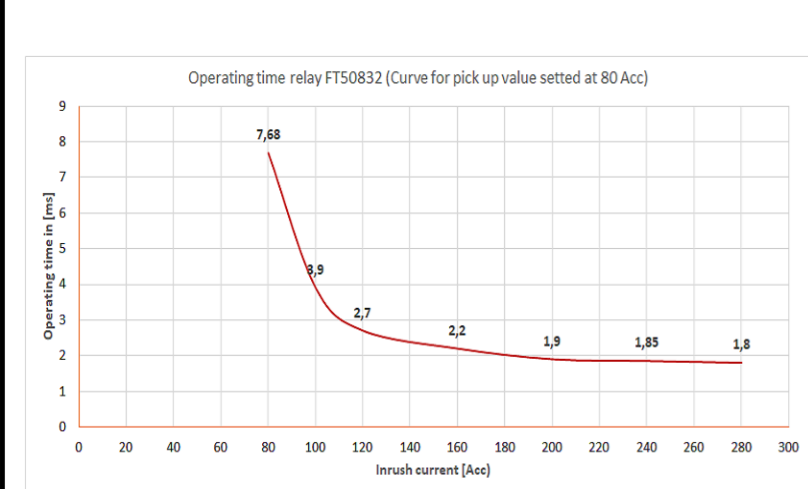
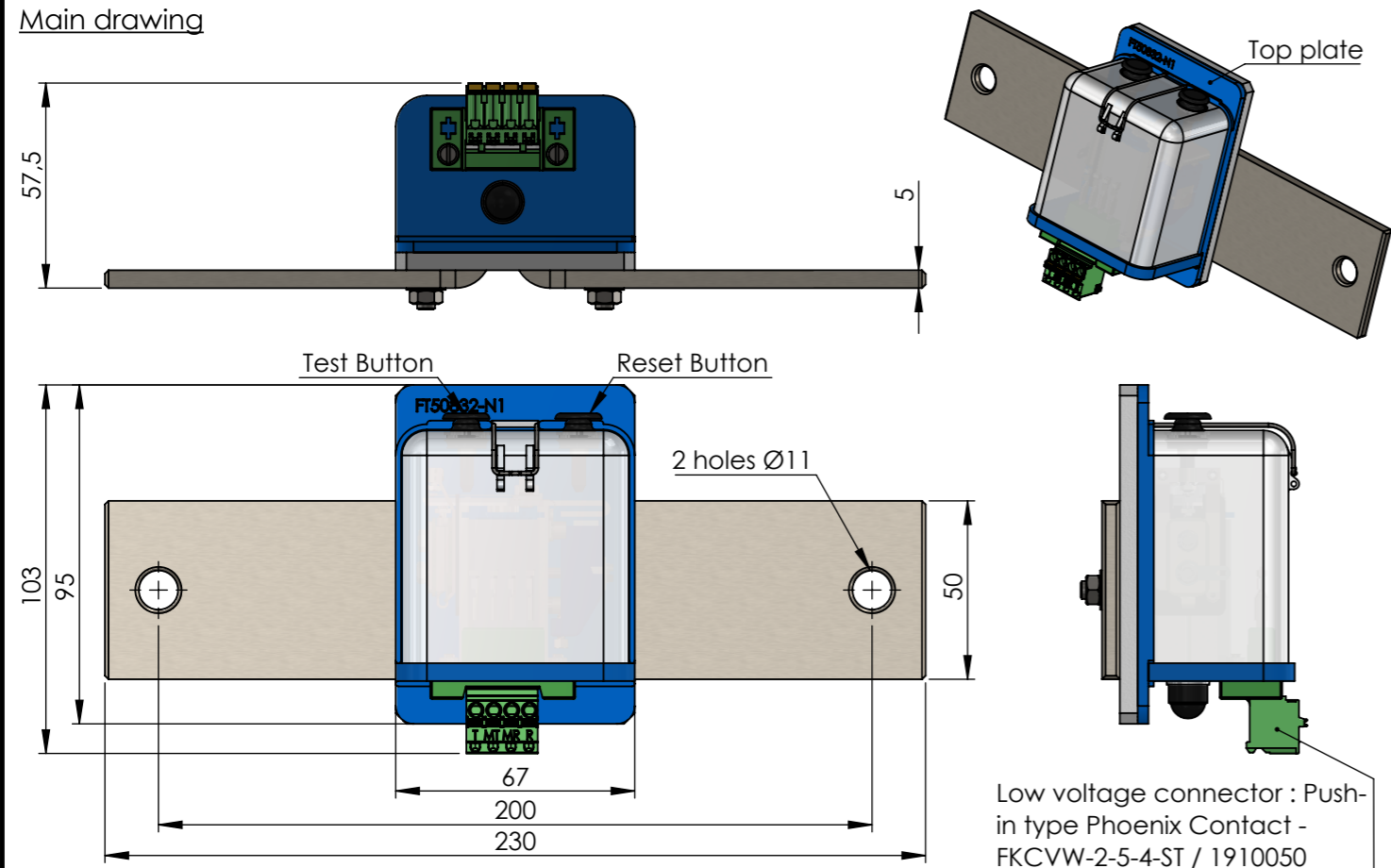


Généralités

PM relay type under BB housing mounted on 50x5 busbar. Mainly connected between earth and frame in order to detect earth fault in substations.

Main drawing



Generality

Reference standard

Electrical Characteristics

Entitled	Standard
Electrical equipment :	NF EN 60077/ IEC 60077
Traction network supply :	NF EN 50163
Shock and vibration :	NF EN 61373
Salt mist :	96h/ NF EN 60068-2-11
Fire and smoke :	EN 45545

Caractéristiques électriques		Circuit primaire/ Primary circuit	
Nominal current/ Voltage :	N.A.		
Max. perm. Current/ Voltage :	700 Adc		
Pick up Value :	[30:400] Adc	Tol. :	± 10%
Drop out Value :	Push Button	Tol. :	N.A.
Latching / BP reset :	Yes		
Push button test :	Yes		
Timer relay :	No		

Main Characteristics

Caractéristiques principales	
Main	
Type of Relay :	Current relay
Type of current :	AC/DC
Type of Housing :	BB
Auxiliary voltage :	No
Weight :	0.80 Kg
Contacts	
Number of Contacts :	1 N/O - 1 N/C
Contacts metalurgy :	Ag/ Pd
Contacts rating :	90 VDC - 0.3 A - L/R=30 ms
Electrical lifetime :	> 10 ⁶ Operations
Contact resistance :	< 20 mOhms
Environment	
Operating temperature :	-25°C...+70°C
Storing temperature :	-40°C...+85°C
Mounting position :	Any attitude

In case of no latching value specified, Latching value set at : 80 Adc
For response time information, check graph on the left.

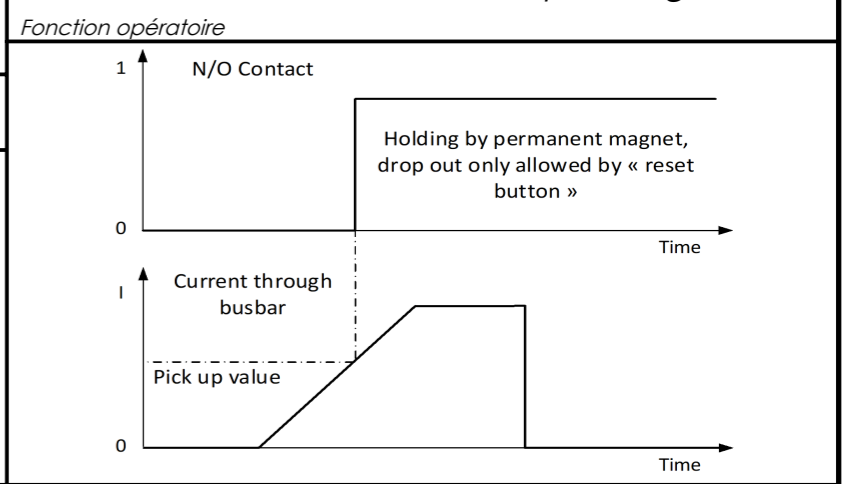
Further information

Informations complémentaires
Maximum short time current allowed : according to ambient temperature at 40°C
For 50 ms : 110 kA | For 100 ms : 80 kA | For 200 ms : 55 kA | For 250 ms : 50 kA | For 500 ms : 35 kA
Relation between AC and DC for pick up setting value (±10%):
30 Acc = 26 Aac | 40 Acc = 34 Aac | 60 Acc = 50 Aac | 80 Acc = 70 Aac

Dielectric strength checks

Essais diélectriques		Kv - 50 Hz
12 Kv	Between primary and secondary	
1.5 Kv	Between each contact	

Operating function



Connections & marking

Connections & gravage

T : N/O
MT : Ground N/O
MR : Ground N/C
R : N/C

Relay reference and serial number engraved on the top plate.
Pickup setting value marked on the front face.

Additional information

Caractéristiques Supplémentaires	
Fonction(s) client : N.A.	N°(s) spécification : N.A. Symbole/ Article : N.A.

	NOM : Thibaud Colodie DATE : 04/11/2020 AUTEUR: FT	Entreprise/ Company : TECHNO-ELEC SAS Adresse/ Address : ZI de la castine, rue des sapins 54730 - GORCY - FRANCE	DÉSIGNATION DU PRODUIT/ PRODUCT DESIGNATION: Earth fault detection current relay
	Marque déposée/ Brand name : TECHNO-ELEC - SERVO CONTACT		RÉFÉRENCE FICHE TECHNIQUE/ DATASHEET REFERENCE: FT50832_N1

FEUILLE 1 SUR 1
ECHELLE:1:2
This drawing is the property of TECHNO-ELEC; It can't be reproduced or communicated without our written agreement.

REVISION	DESCRIPTION	DATE	APPROVED BY
A	Issue of initial specification from FT50832	04/11/2020	Thibaud Colodie

REVISIONS