

Sealing Solutions for the Rolling Stock Industry

Customized sealing solutions from reliable partner for the rolling stock industry.



www.finnprofiles.com



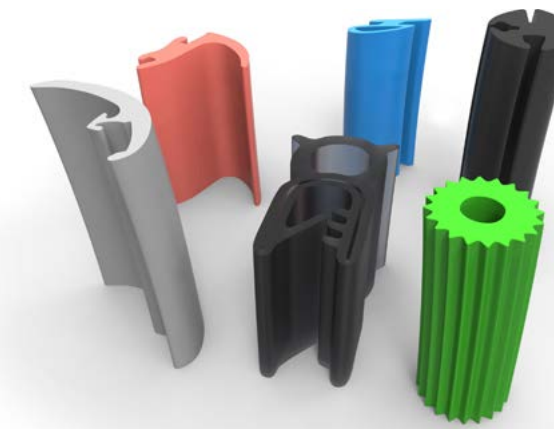
Comprehensive sealing partner

FinnProfiles' ready-to-assemble sealing solutions are commonly customized and developed in co-operation with customers and our designers.

From various certified raw materials, we offer product portfolio from extruded profiles to ready-to-assemble sealing systems and components.

Our solutions are used in a wide range of applications on trains, subways, and tramcars:

- Windows
- Door systems
- Ceilings
- Floors and walls
- Air conditioning systems
- Lighting systems
- Luggage compartment racks



Customized sealing profiles

FinnProfiles has modern extrusion lines for:

- Rubber profiles
- Silicone profiles
- TPE profiles
- Co-extrusion



Post-production service

Finalize your sealing solution in a cost-efficient way:

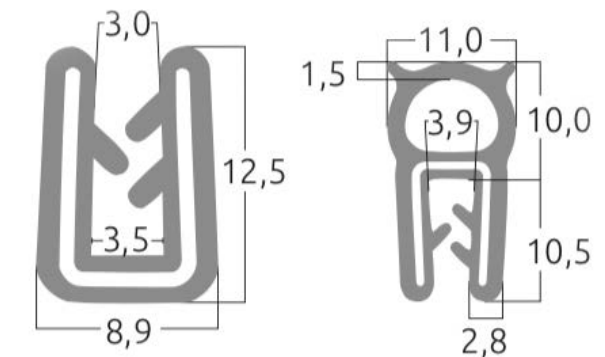
- Vulcanized joints
- Self-adhesive profiles
- Special coatings
- Cutting and perforation



Several fastening solutions available

All fastening methods have their own advantages:

- Metal-reinforced fastening
- Adhesive fastening
- Groove fastening
- Mechanical fastening



Skilled design support

By joining our designing forces we ensure:

- Correct material choice
- Easy installation
- Best possible functionality
- Low life-cycle costs

Fire safety and standard compliance

Our high-quality extruded profiles and flat gaskets are produced from EPDM rubber and silicone, which conform to the fire safety standards demanded in the global rolling stock industry.

Following fire and smoke standards are complied:

- **EN 45545-2**
(Classes R22 & R23; Levels HL1, HL2 & HL3)
- **DIN 5510-2**
(S4, SR2 & ST2)
- **NF F 16-101**
(Classes I2 & F1)
- **BS 6853**
(Cat. 1b & Cat. II)
- **NFPA 130**
(ASTM E 162, ASTM E 662, ASTM E 1354, Boeing BSS 7239 & ASTM C 1166)

On special request material available also according to *"London Underground fire and smoke specification."*

NOTICE: Profiles are available in any hardness between 30 to 70 +/- 5 ShA. EPDM profiles are always black, silicone profiles can be made in any RAL color.





LET'S CREATE A PERFECT SEALING SOLUTION.

FinnProfiles

FinnProfiles is the ultimate sealing and insulation partner specializing in designing and manufacturing unique *rubber*, *silicone*, and *TPE* sealing profiles and gaskets for companies who value superior quality and project expertise.

With our extensive production capacity and overall post-production options, we can serve our customers the most comprehensive way!

FP FinnProfiles Oy

- Based in Finland (founded 1989)
- Two factories
- 65 employees
- Products exported worldwide

Our solutions have served several **rolling stock companies** worldwide for over 30 years!

READ MORE ON OUR WEBSITE!

www.finnprofiles.com