



Metal-reinforced silicone profiles

Easy way to install your sealing.



www.finnprofiles.com



Let's make sealing easy!

FinnProfiles' **Metal-reinforced profiles** offer simple sealing and protection solution for versatile applications where enhanced sealing properties, easy installation, and durability is required.

The metal-reinforced fastening solution is available for standard and customer-specific sealing profiles. The profiles contain a "stainless steel metal reinforcement" vulcanized inside the profile.

All our metal-reinforced fastening solutions are made of silicone, and they withstand *strong vibration, shock, abrasion, and even fire!*

How does it work?

The metal-reinforced fastening solution is a reliable way of fixing a sealing profile to an end product *without the need for tape, adhesive, or a separate fixing plate or profile.*

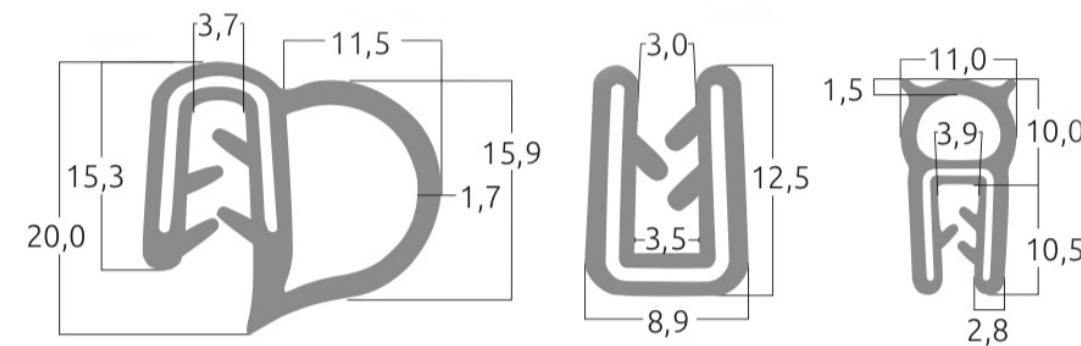
The mounting is done simply by pressing. In practice, the metal-reinforced installation groove is pressed over the edge or rim of the object. It's easy as that!



Doable in dual-hardness!

The metal-reinforced fastening solution is also available in dual-hardness (co-extrusion), in which case the sealing itself has a different hardness than the fastening part.

This way, the sealing can be made considerably more elastic or emphasize its other properties without compromising the installation's stability.



Advantages:

- Easy to install/replace
- Available in fire retardant silicone grades
- Looks neat
- Good permanence (*withstand vibration, shock, and abrasion*)
- It does not require the design of a separate installation profile
- Suitable for all silicone grades offered by FinnProfiles

Recommended applications:

- Marine industry
- Rail industry
- All public transport
- Interior protection
- For various doors and hatches

Outline

The metal-reinforced fastening solution is an easy, safe and neat installation method. It is especially recommended for applications where the sealing needs to be replaced regularly.

It is also a great choice to keep your product's structural design minimal as possible.



FinnProfiles

FinnProfiles is the ultimate sealing and insulation partner specializing in designing and manufacturing unique *rubber*, *silicone*, and *TPE* sealing profiles and gaskets for companies who value superior quality and project expertise.

With our extensive production capacity and overall post-production options, we can serve our customers the most comprehensive way!

FP FinnProfiles Oy

- Based in Finland (founded 1989)
- Two factories
- 65 employees
- Products exported worldwide

Our solutions have served numerous industries worldwide for over 30 years:

- Rolling stock industry
- Marine industry
- Construction industry
- Medical and pharmaceutical equipments
- Machinery industry
- Transportation industry
- Buses and others public transportations



READ MORE ON OUR WEBSITE!

www.finnprofiles.com

