

AUTOMATIC MEASURING STATION FOR MEASURING OF RAILWAY WHEELS GEOMETRIC DIMENSIONS KS-741

The automatic measuring complex developed by company Amest is designed to measure complete geometry of railway wheels, including precision inner hub diameter by contact system implemented into optical measuring portal.

Description of the complex

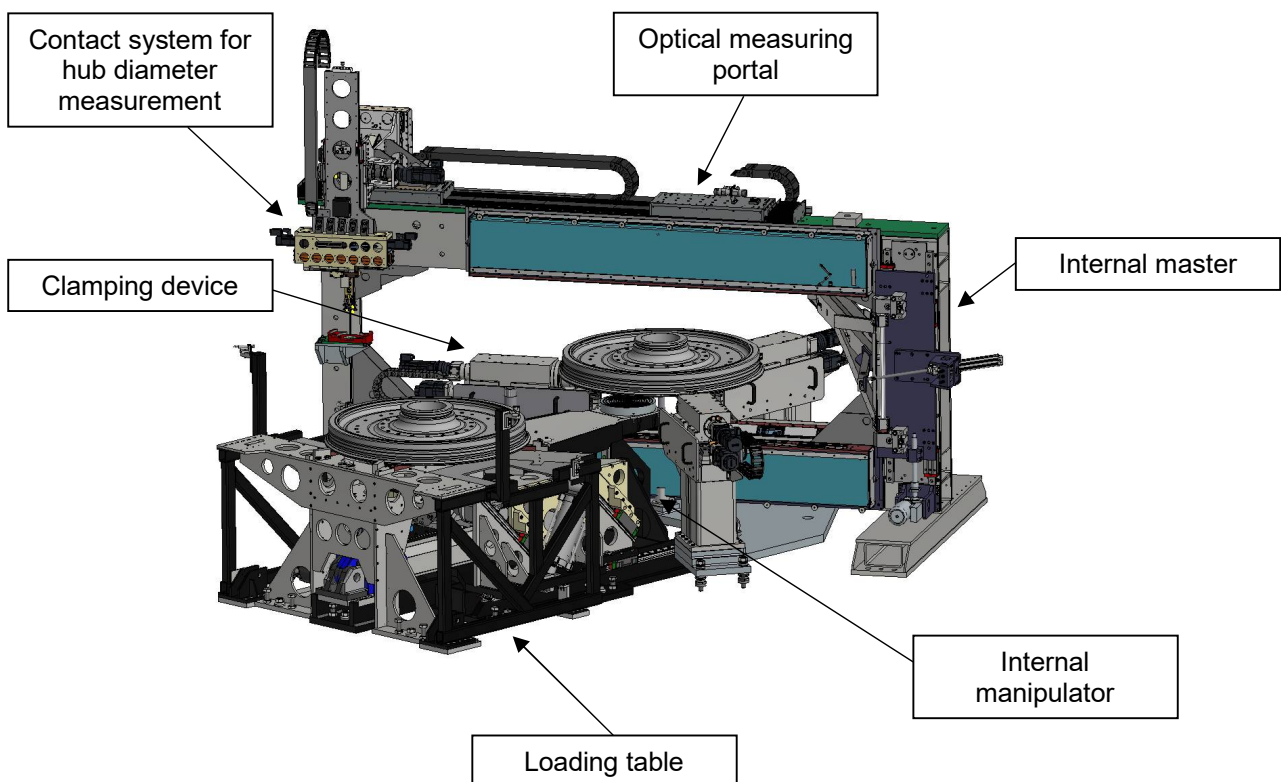
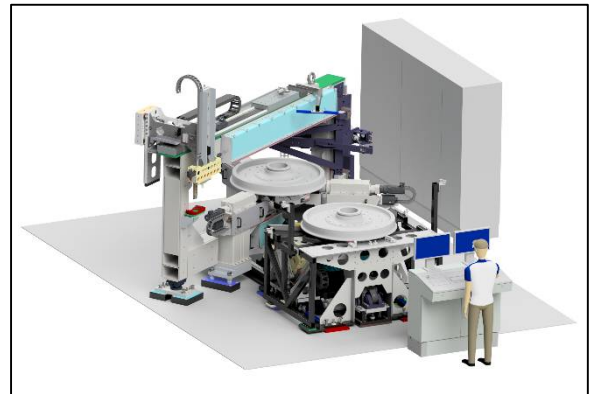
Geometric parameters are measured by a measuring portal, connected to an intelligent clamping device comprising 3 universal clamping sections which precisely fixing the wheel and set the rotation speed as it is being measured. The complex contains an input – output table, internal rotary manipulator, measuring portal equipped with CD-cameras and rotary lasers and contact system for measurement of precision hub diameter.

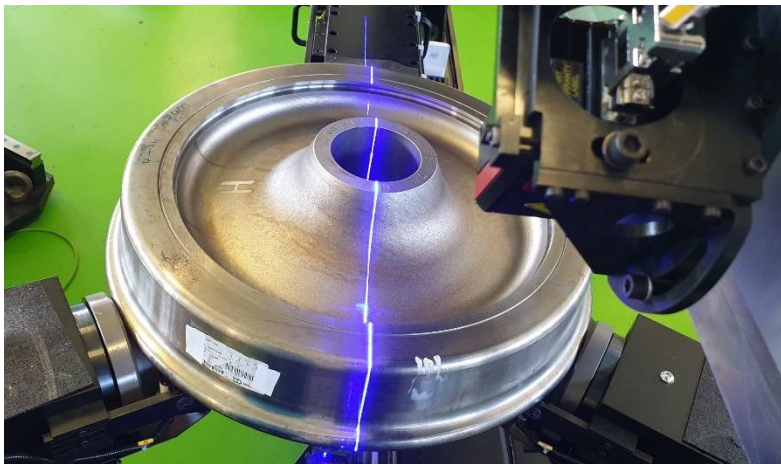
Parameters of automatic complex

Wheel geometry measuring cycle	max. 60 s.
Scan speed	2 faces/s
Number of faces per wheel turn	60

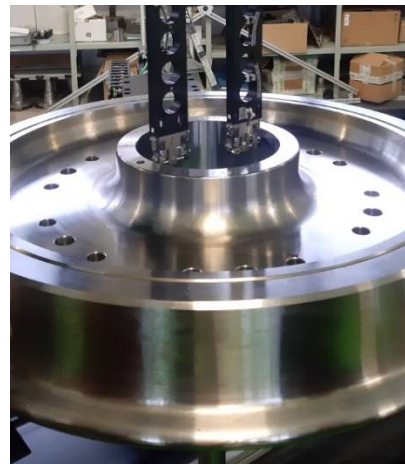
Parameters of wheels measured

wheel diameter	up to 1400 mm
wheel hub diameter..	up to 260 mm
wheel weight.....	up to 1200 kg

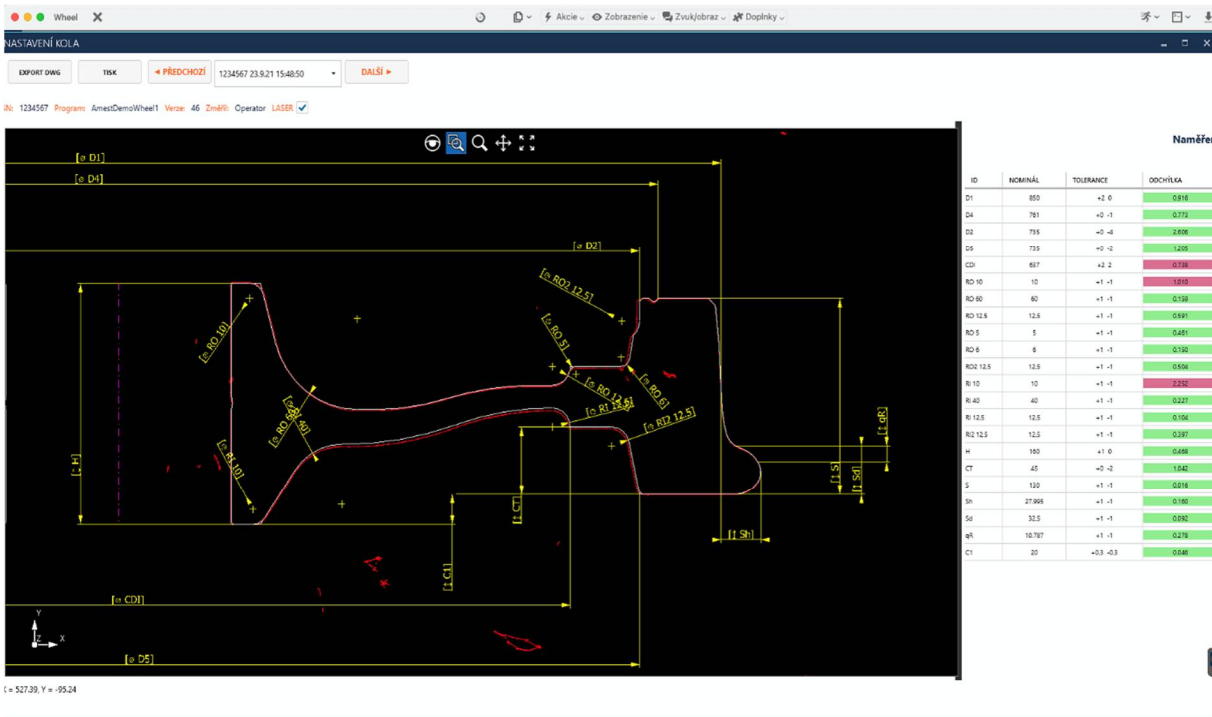




Optical measurement



Contact measurement



Measuring screen



General view

Střep	Číslo	Datum	Operátor	Stav	...
AmestWheel1	4	15/02/13	LASER	OK	...
AmestWheel1	5	15/02/13	LASER	OK	...
AmestWheel1	6	15/02/13	LASER	OK	...
AmestWheel1	7	15/02/13	LASER	OK	...
AmestWheel1	8	15/02/13	LASER	OK	...
AmestWheel1	9	15/02/13	LASER	OK	...
AmestWheel1	10	15/02/13	LASER	OK	...
AmestWheel1	11	15/02/13	LASER	OK	...
AmestWheel1	12	15/02/13	LASER	OK	...
AmestWheel1	13	15/02/13	LASER	OK	...
AmestWheel1	14	15/02/13	LASER	OK	...
AmestWheel1	15	15/02/13	LASER	OK	...
AmestWheel1	16	15/02/13	LASER	OK	...
AmestWheel1	17	15/02/13	LASER	OK	...
AmestWheel1	18	15/02/13	LASER	OK	...
AmestWheel1	19	15/02/13	LASER	OK	...
AmestWheel1	20	15/02/13	LASER	OK	...
AmestWheel1	21	15/02/13	LASER	OK	...
AmestWheel1	22	15/02/13	LASER	OK	...
AmestWheel1	23	15/02/13	LASER	OK	...
AmestWheel1	24	15/02/13	LASER	OK	...
AmestWheel1	25	15/02/13	LASER	OK	...
AmestWheel1	26	15/02/13	LASER	OK	...
AmestWheel1	27	15/02/13	LASER	OK	...
AmestWheel1	28	15/02/13	LASER	OK	...
AmestWheel1	29	15/02/13	LASER	OK	...
AmestWheel1	30	15/02/13	LASER	OK	...
AmestWheel1	31	15/02/13	LASER	OK	...
AmestWheel1	32	15/02/13	LASER	OK	...
AmestWheel1	33	15/02/13	LASER	OK	...
AmestWheel1	34	15/02/13	LASER	OK	...
AmestWheel1	35	15/02/13	LASER	OK	...
AmestWheel1	36	15/02/13	LASER	OK	...
AmestWheel1	37	15/02/13	LASER	OK	...
AmestWheel1	38	15/02/13	LASER	OK	...
AmestWheel1	39	15/02/13	LASER	OK	...
AmestWheel1	40	15/02/13	LASER	OK	...

Database



Belnická 736
252 42 Jesenice

<http://www.amest.cz>

+420 246 051 111, +420 246 051 124

e-mail : info@amest.cz