



**yapiray**

*B70 Sleeper*





# B70 Sleeper



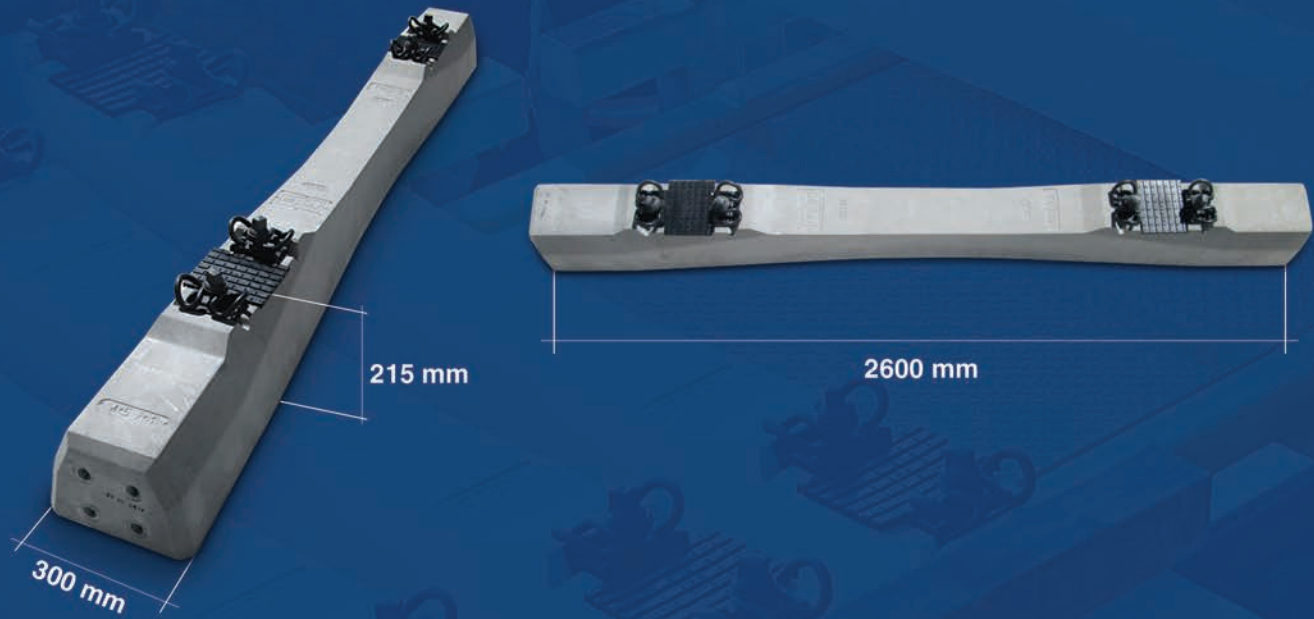
**Dimensions:** 2600x300x215 (Dimension are in mm.)

UIC 60(60E1) rail type adjusted prestressed concrete sleeper.

**Rail Seating Area Slope:** 1/40

**Gauge Space :** 1435 mm

**Weight:** 294.5 kg (excluding fasteners)



www.MXE.com.tr

100% domestic design and manufactured with 100% domestic capital, it is the first and only registered Concrete Railway Sleeper by Turkish Patent Institute. Rayton is a Registered Trademark of Yapiray A.Ş.

## Main Branch:

Kısıklı Mah. Alemdağ Cad. Masaldan İş Merkezi  
No:60 E Blok No:5 Üsküdar/İSTANBUL  
Phone : +90 216 521 30 00  
Fax : +90 216 505 54 21  
: +90 216 505 54 22

## Afyon Rayton Factory:

Zafer Mah. Ahmet Özyurt Cad. No:160  
İhsaniye/AFYONKARAHİSAR  
Phone : +90 272 271 50 18  
Fax : +90 272 271 51 34

info@yapiray.com.tr  
ik@yapiray.com.tr  
rayton@yapiray.com.tr



[www.yapiray.com.tr](http://www.yapiray.com.tr)

1. All information given as part of this brochure cannot be used, copied or published without the knowledge and approval of YAPIRAY.
2. YAPIRAY reserves the right to change the information within the scope of this brochure.
3. RAYTON, RAYKAS and PANELRAY are registered brands of YAPIRAY.