

Modular Lightning Protection for Railway Enclosures

CONNECT AND PROTECT

Complete Lightning Protection Kit

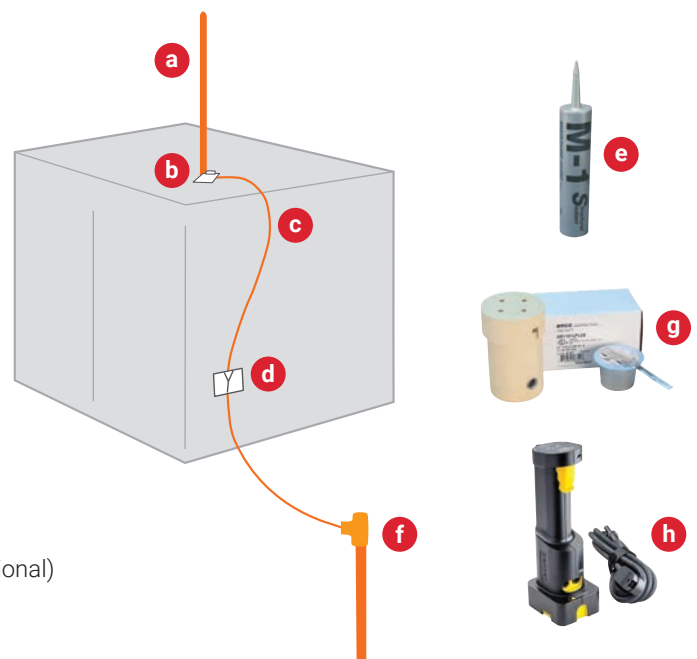


The nVent ERICO Modular Lightning Protection for outdoor railway enclosures is a comprehensive solution used to **PROTECT CRITICAL ASSETS** and **PERSONNEL** along the wayside and in yards. Exposure to lightning strikes in the rail environment is unavoidable, and can cause serious damage, delays and expense. The nVent ERICO Modular Lightning Protection kit is a solution that can be attached to bungalows, as well as smaller stand-alone enclosures that may not be covered by surrounding lightning protection equipment.

TURNKEY LIGHTNING PROTECTION

nVent ERICO Modular Lightning Protection for Railway Enclosures is **COST EFFICIENT, EASILY SCALABLE** and can be **CUSTOMIZED** to meet any requirement. We make protecting outdoor enclosures easy by arranging nVent ERICO LP equipment in a coordinated combination, expertly designed to provide best in practice electrical protection out of the box. This system functions to bear the impact of the lightning strike and direct the energy to the ground, and can include all, or a combination of the following:

- a** Air Terminal
- b** Base
- c** Insulated Stranded Conductor
- d** Stamped Adhesive Cable Fastener
- e** Adhesive
- f** Ground Rod + Coupler
- g** nVent ERICO Cadweld Plus One Shot
- h** nVent ERICO Cadweld Plus Impulse Electronic Control Unit (Optional)



+1.800.447.RAIL rail@nVent.com

NVENT ERICO MODULAR LIGHTNING PROTECTION FOR RAILWAY ENCLOSURES

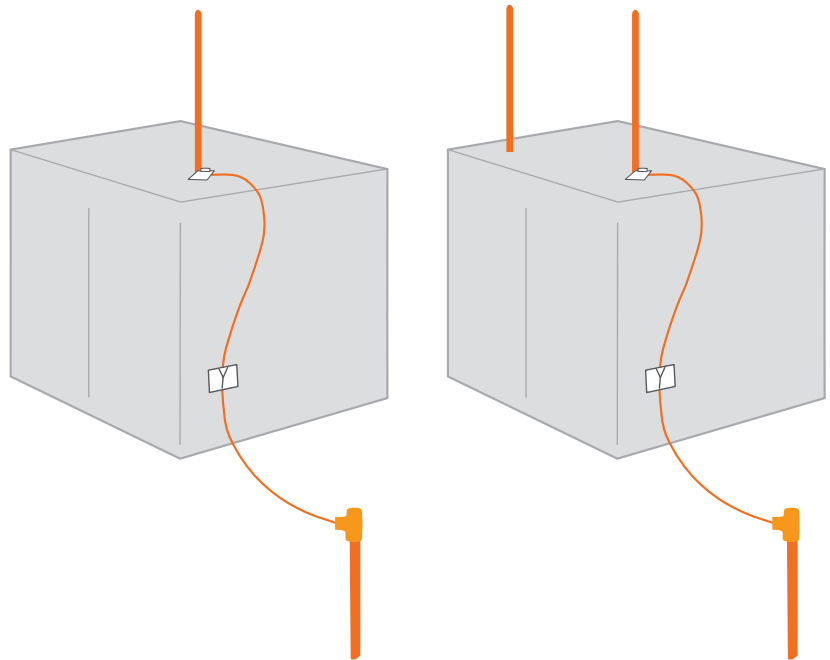
Typical Kit:

Description	Part #
Air Terminal	LPC205BST
Air Terminal Base	LPC30238
Stamped Adhesive Cable Fastener	LPC810
Adhesive	LPP899GY
Insulated Stranded Conductor for LP	LPC120CTO
nVent ERICO Cadweld Plus One-Shot	SBGT1162GPLUS
Ground Rod / Ground Rod Coupler	CC58
nVent ERICO Cadweld Plus Impulse Electronic Control Unit	PBPLUSCU2L6

* Kit comes with all of the required hardware

ADDITIONAL OPTIONS

- Kit can be scaled to cover multiple clusters of enclosures
- Kit can be modified or customized to meet the needs of a specific location, including the addition of air terminals for enhanced protection
- Our nVent ERICO Lightning Protection Institute certified Engineering team can design a LP system best suited for your rail equipment using best in class Lightning Protection Design Software



+1.800.447.RAIL rail@nVent.com



Our powerful portfolio of brands:

CADDY ERICO HOFFMAN RAYCHEM SCHROFF TRACER