

SPECIFICATION SHEET / RAIL

# RAILWAY LIFTING JACKS



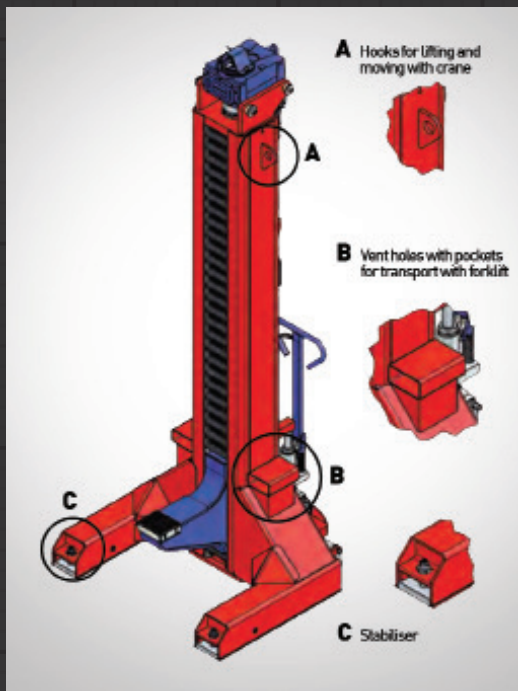
# RAILWAY LIFTING JACKS

Whether you're lifting a single carriage or a complete train, Totalkare's railway lifting jacks are the ideal solution when it comes to the maintenance of rail vehicles.

Totalkare's railway lifting jacks are perfect for depots and workshops. Available in a range of lifting capacities from 5,500kg

to 50,000kg per jack, they are heavy duty and reliable.

The jacks can be used in configurations of 4 to 128 columns, with computerised control units providing easy synchronicity, enabling the lifting of a single carriage or a series of rail cars.



## FEATURES

- ◆ 5,500kg - 50,000kg lifting capacities
- ◆ Computerised control unit with Wi-Fi remote control, event storing and recording, and self-programmed maintenance
- ◆ Possibility to synchronise from 4 to 128 columns
- ◆ Fixed or movable lifting carriage options
- ◆ IP 55 level of electrical protection
- ◆ Low tension control with emergency stop button for safety
- ◆ Electromechanical design with lifting screw-nut system
- ◆ All lifting jacks come with an absolute encoder, with a 12-bit processor directly connected to the lifting screw



**CALL** 0121 585 2724  
**VISIT** [WWW.TOTALKARE.CO.UK](http://WWW.TOTALKARE.CO.UK)



**TOTALKARE**  
HEAVY DUTY WORKSHOP SOLUTIONS