



*th Anniversary*  
**POWER RAIL**  
CREATIVE INNOVATIONS...CONTINUING TRADITION  
Est. 2003

**TRUCK PARTS  
CATALOG V<sub>23</sub>**

**POWER RAIL**

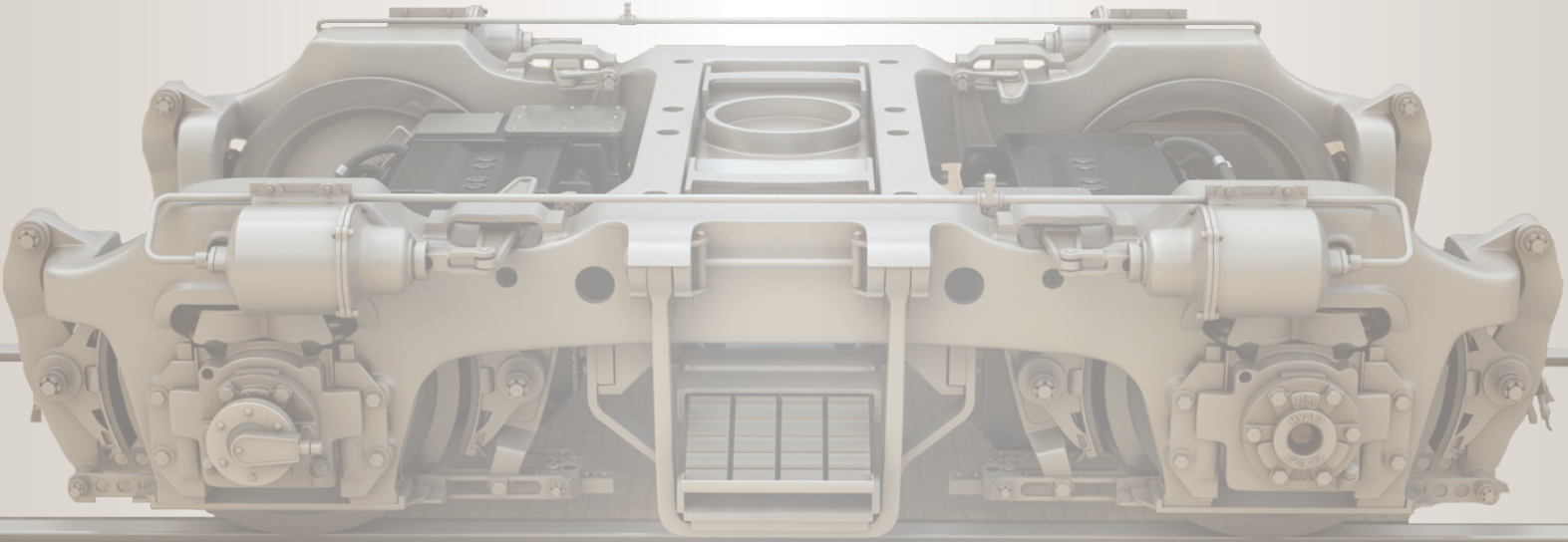
Phone: 570-883-7005 • Fax: 570-883-7006  
Sales@ePowerRail.com • www.ePowerRail.com

---

# MISSION STATEMENT

---

*It is the objective of PowerRail to provide Products and Services that meet our exemplary standards of Quality, Service, Delivery and Value...which consistently meets or exceeds our customers' expectations.*



## **Disclaimer**

PowerRail Holdings, Inc., together with its affiliates, Vendors/Partners (collectively "PowerRail") offers a wide range of aftermarket replacement parts for EMD and GE brand locomotives.

PowerRail does not claim to be an authorized distributor nor does it claim to sell any Genuine OEM factory parts. PowerRail claims no proprietary rights to, or affiliation with, any third party trademarks or logos which may appear in any of PowerRail's marketing materials.

[WWW.ePowerRail.Com](http://WWW.ePowerRail.Com)





# POWERRAIL

CREATIVE INNOVATIONS ... CONTINUING TRADITION



## When it comes to Truck Parts, why PowerRail?

- PowerRail is the only company in the US that manufactures all of our brake rigging and truck parts in-house **AND** provides truck overhauls at our own PowerRail Locomotive Services.
- PowerRail is the only company in the US that can provide OEM equivalent (or ENHANCED) truck parts with steel bushings **OR** with thermoplastic bushings, which are proven to provide extended life through 20+ years of in-the-field testing.
- Our experience with truck kits and brake rigging applications is second to none. From manufacturing the parts, to completing the overhauls in-house, our expertise and application knowledge is above all the rest.
- We offer a full line of GE-style and EMD-style truck parts, components, and brake rigging, as well as customer friendly truck kits, packaged to your liking and built to your specifications.

## TABLE OF CONTENTS

Description	Page	Description	Page	Description	Page
<b>EMD GP STYLE BLOMBERG TRUCKS</b>		<b>SD 3 AXLE STYLE TRUCKS</b>		<b>GE STYLE</b>	
<a href="#">Levers &amp; Brake Heads</a>	3	<a href="#">Levers</a>	11	<a href="#">GE-Style Truck Parts</a>	26-29
<a href="#">Brake Hangers</a>	4	<a href="#">Brake Heads &amp; Hangers</a>	12	<a href="#">GE-Style Traction Motor Air Ducts &amp; Assemblies</a>	30
<a href="#">Brake Shoe Keys</a>	4	<a href="#">Elliptical &amp; Coil Springs</a>	12	<a href="#">GE-Style Hardware</a>	30-32
<a href="#">Elliptical &amp; Coil Springs</a>	5	<a href="#">Slack Adjusters &amp; Brake Straps</a>	12		
<a href="#">Slack Adjusters &amp; Brake Straps</a>	5	<a href="#">Wear Plates &amp; Liners</a>	13		
<a href="#">Wear Plates &amp; Liners</a>	6	<a href="#">Miscellaneous</a>	13		
<a href="#">Miscellaneous</a>	7				
<b>EMD SWITCHER STYLE TRUCKS</b>		<b>EMD STYLE</b>		<b>KITS &amp; RELATED PARTS</b>	
<a href="#">Levers &amp; Brake Heads</a>	8	<a href="#">Pins, Bushings, &amp; Ferrules</a>	14-21	<a href="#">Truck Kits</a>	33
<a href="#">Brake Hangers</a>	8	<a href="#">Traction Motor Air Ducts &amp; Assemblies</a>	22	<a href="#">Journal Boxes - Hyatt &amp; GG</a>	34
<a href="#">Elliptical &amp; Coil Springs</a>	9	<a href="#">EMD-Style Hardware</a>	22-25	<a href="#">Wheelsets, Combos, &amp; Traction Motors</a>	35
<a href="#">Slack Adjusters &amp; Brake Straps</a>	9			<a href="#">Gear Cases</a>	36
<a href="#">Wear Plates &amp; Liners</a>	9				
<a href="#">Miscellaneous</a>	10				

**PowerRail Locomotive Services**, a division of PowerRail located in Monroe, GA, offers repair, rebuild, and remanufacturing services for the following EMD truck types to customer specifications or PLS scope. Unit Exchange of trucks also available.



### **GP CLASP - EMD BLOMBERG**

Hyatt or Timken GG Bearings  
Clasp Brake Arrangement



### **GP SINGLE SHOE - EMD BLOMBERG**

Hyatt or Timken GG Bearings  
OEM Single Shoe Brake Arrangement



### **EMD SWITCHER TRUCK**

Friction or Roller Bearing  
Universal (AAR/Rigid) or Flexible Trucks



### **EMD SD HTC or FLEXICOIL TRUCKS**

Hyatt or Timken GG Bearings

#### ***Additional options include:***

- ***GP Clasp to Single Shoe Conversion and Associated Modification Kit***
- ***Traction Motor / Wheel Set Combo Rebuilding***
- ***GE Truck overhauls and rebuilds***

**EMD GP STYLE BLOMBERG TRUCKS:**

- Clasp Brake Rigging Arrangement (OEM, 2 brake shoes per wheel, 4 brake cylinders)
- Single Shoe Brake Rigging Arrangement (OEM, 1 shoe per wheel, 2 brake cylinders)
- Single Shoe Brake Rigging Arrangement, converted from Clasp (aftermarket conversion, 4 brake cylinders)

**LEVERS**

PowerRail P/N	Description	Application	OEM Reference
E8160062	Brake Lever, with steel bushings	GP Clasp	8160062
E8160062PB	With thermoplastic bushings		
E8334026	Brake Lever, with steel bushings	GP & SD clasp	8334026
E8334026PB	With thermoplastic bushings		
E8334027	Brake Lever, with steel bushings	GP & SD clasp	8334027
E8334027PB	With thermoplastic bushings		
E8441549	Brake Lever, with steel bushings	GP Truck, single shoe	8441549
E8441549PB	With thermoplastic bushings		
E8497648	Brake Cylinder Lever, with steel bushings	GP & SD Clasp, F40PH, Single Shoe	8497648
E8497648PB	With thermoplastic bushings		
E40035166	Brake Cylinder Lever, with steel bushings	GP Clasp & GP Single Shoe, SD Clasp, Universal Switcher	40035166, 8060826
E40035166PB	With thermoplastic bushings		
E40035154	Brake Cylinder Lever, with steel bushings	GP & MP Blomberg Trucks	40035154, 8484176
E40035154PB	With thermoplastic bushings		
E40035199	Hand Brake Cylinder Lever, with steel bushings	GP Clasp, GP Single Shoe, SD Clasp	40035199, 8060825, 8497728
E40035199PB	With thermoplastic bushings		

**BRAKE HEADS**

PowerRail P/N	Description	Application	OEM Reference
E8160059	Brake Head, steel bushings	GP Clasp	8160059
E8160059PB	With thermoplastic bushings		
E8160060	Brake Head, steel bushings	GP & SD with Clasp Brakes	8160060
E8160060PB	With thermoplastic bushings		
E8385297	Brake Head, steel bushings	GP Clasp Converted from Clasp to Single Shoe	8385297
E8385297PB	With thermoplastic bushings		
E8385297CANTED	Canted version		
E8385297CANTEDPB	Canted version with thermoplastic bushings		
E8388332	Brake Head, steel bushings	GP Single Shoe & SD Single Shoe	8388332
E8388332PB	With thermoplastic bushings		
E8388332CANTED	Canted version		
E8388332CANTEDPB	Canted version with thermoplastic bushings		



E8385297CANTEDPB



E8388332PB

**EMD GP STYLE BLOMBERG TRUCKS:**

- Clasp Brake Rigging Arrangement (OEM, 2 brake shoes per wheel, 4 brake cylinders)
- Single Shoe Brake Rigging Arrangement (OEM, 1 shoe per wheel, 2 brake cylinders)
- Single Shoe Brake Rigging Arrangement, converted from Clasp (aftermarket conversion, 4 brake cylinders)

**BRAKE HANGERS**

PowerRail P/N	Description	Application	OEM Reference
E9554702	Brake Head Hanger, steel bushings	GP50, F40PH, F59PH, Single Shoe	9554702
E9554702PB	With thermoplastic bushings		
E9320926	Brake Head Hanger, steel bushings	GP Single Shoe, GP40X	9320926
E9320926PB	With thermoplastic bushings		
E9523234	Brake Head Hanger, steel bushings	GP Single Shoe, GP50	9523234
E9523234PB	With thermoplastic bushings		
E8441551	Brake Hanger, steel bushings	GP, MP15, F59PH, Single Shoe	8441551
E8441551PB	With thermoplastic bushings		
E8475110	Brake Hanger, steel bushings	GP, MP15, F59PH, Single Shoe	8475110
E8475110PB	With thermoplastic bushings		
E8157951	Brake Hanger Assembly, steel bushings	GP & MP Clasp	8157951
E8157951PB	With thermoplastic bushings		
E8157957	Brake Hanger Assembly	GP Clasp	8157957
E8157957PB	With thermoplastic bushings		
E8441550	Brake Head Hanger Lever, steel bushings	GP, MP15, F50PH	8441550
E8441550PB	With thermoplastic bushings		
E9098135	Dead Lever Assembly, steel bushings	GP, F40PH, F59PH, Single Shoe	9098135
E9098135PB	With thermoplastic bushings		



E9554702



E8441551

**BRAKE SHOE KEYS**

PowerRail P/N	Description	Application	OEM Reference
E8101930	Brake Shoe Key	EMD-style 14"	8101930
E9501303	Brake Shoe Key	EMD-style 15"	9501303
E8100136	Brake Shoe Key	EMD-style 16"	8100136
E8101977	Brake Shoe Key	EMD-style 20"	8101977
PRD16186626	Brake Shoe Key	Universal EMD & GE style, 13"	16186626

**PowerRail carries convenient inventory on the most common high and low friction composition brake shoes for locomotives.**



**EMD GP STYLE BLOMBERG TRUCKS:**

- Clasp Brake Rigging Arrangement (OEM, 2 brake shoes per wheel, 4 brake cylinders)
- Single Shoe Brake Rigging Arrangement (OEM, 1 shoe per wheel, 2 brake cylinders)
- Single Shoe Brake Rigging Arrangement, converted from Clasp (aftermarket conversion, 4 brake cylinders)

**ELLIPTICAL AND COIL SPRINGS**

PowerRail P/N	Description	Application	OEM Reference
E8229325	1/2 Elliptic Leaf Spring	GP High Profile, 8 per nest	8229325
E8106539	Elliptic Spring Nest Assembly	GP High Profile Trucks, up to 266k lbs.	8106539
E8354463	Elliptic Spring Nest Assembly	GP High Profile Trucks, 266k - 286k lbs.	8354463
E8413510	Elliptic Spring Nest Assembly	GP High Profile Trucks, 286k - 308k lbs.	8413510
E9568083	Elliptic Spring Nest Assembly	GP Low Profile Trucks, 266k - 288k lbs.	9568083
E9094221	Double Coil Journal Spring Assembly	GP, Single Shoe	9094221
E9085317	Double Coil Journal Spring Assembly	GP & SD trucks, Various Applications	9085317, 8272084
E9097970	Double Coil Journal Spring Assembly	GP 2 Axle Rigid Truck with Single Shoe	9097970
E9317671	Triple Coil Journal Spring Assembly	GP & MP Blomberg Trucks	9317671

**SLACK ADJUSTERS AND BRAKE STRAPS**

PowerRail P/N	Description	Application	OEM Reference
E9334229	Slack Adjuster	Trunnion Style, EMD GP, MP, & SD; Clasp Brakes	9334229
E40040295	Slack Adjuster, steel bushings	GP & MP Blomberg trucks, Single Shoe	8464304, 9082754 9527279, 40040295
E40040295PB	With thermoplastic bushings		
E40040296	Slack Adjuster, steel bushings	GP Single Shoe, Model RRS, 42" Wheel	40040296
E40040296PB	With thermoplastic bushings		
E9570496	Slack Adjuster Double End	GP & GE B Truck, 2 Axle Truck, Single Shoe	9570496
E9570496PB	With thermoplastic bushings		
PRD16186097	Slack Adjuster	GP Clasp to Single Shoe Converted Trucks	16186097
PRD16186097PB	With thermoplastic bushings		
E8465284	Brake Connection Strap, OEM	GP & SD, Clasp Brakes	8097756, 8465284
E8465284PB	With thermoplastic bushings		
E8465284-MOD	"Fat 40" version		
E8465284-MODPB	"Fat 40" with thermoplastic bushings		
E8099416	Brake Connection Strap, OEM	GP & SD, Clasp Brakes	8099416
E8099416PB	With thermoplastic bushings		
E8099416MOD	"Fat 40" version		
E8099416MODPB	"Fat 40" with thermoplastic bushings		
E8323128	Guide Assembly	GP Clasp, SW Flexible, Brake Head Stabilization	8323128



**EMD GP STYLE BLOMBERG TRUCKS:**

- Clasp Brake Rigging Arrangement (OEM, 2 brake shoes per wheel, 4 brake cylinders)
- Single Shoe Brake Rigging Arrangement (OEM, 1 shoe per wheel, 2 brake cylinders)
- Single Shoe Brake Rigging Arrangement, converted from Clasp (aftermarket conversion, 4 brake cylinders)

**WEAR PLATES AND LINERS**

PowerRail P/N	Description	Application	OEM Reference
E9329633	Center Bolster	1/2 Ring, GP Blomberg	9329633
E9562813	Center Bowl Liner	1 piece, GP Trucks, 1/2" Bottom Thickness	9562813
E9085368	Center Plate Liner	GP Blomberg, Clasp Brakes	9085368, 8044707, 8135935, 8321934
E9085369	Center Plate Liner	GP Blomberg, Single Shoe	9085369, 8177287, 8179559, 9088855
E40010820	Pedestal Liner Kit	GP, SD, & SW Flexible	40010820
PRD16184423	Pedestal Liner	GP, SD, & SW Trucks	16184423, 8432882, 9324108, 40010049, 40012413
E40020765	Spring Pad	GP & SD Trucks	40020765
E8068060	Wear Plate	GP Blomberg	8068060
E8186335	Wear Plate	One Piece, Journal Box	8186335
E9505731	Wear Plate	GP, Single Shoe	9505731
E8328933	Wear Plate	GP Blomberg	8328933
E8121446	Wear Plate	Coupler	8121446
E8259592	Wear Plate	Coupler Carrier	8259592
E8336782-3/8	Wear Plate	Coupler Carrier	8336782-3/8
E8336782-3/4	Wear Plate	Coupler Carrier	8336782-3/4
E8107069	Wear Plate	GP Blomberg	8107069
E8321933	Wear Plate	GP Blomberg	8321933
E8104188	Wear Plate	Traction Motor Nose Support	8104188





**EMD GP STYLE BLOMBERG TRUCKS:**

- Clasp Brake Rigging Arrangement (OEM, 2 brake shoes per wheel, 4 brake cylinders)
- Single Shoe Brake Rigging Arrangement (OEM, 1 shoe per wheel, 2 brake cylinders)
- Single Shoe Brake Rigging Arrangement, converted from Clasp (aftermarket conversion, 4 brake cylinders)

**MISCELLANEOUS**

Swing Hangers, Bearing Blocks, & Various Components for EMD-Style Locomotive Trucks

PowerRail P/N	Description	Application	OEM Reference
E8044697	Bearing Block, Upper	Swing Hanger Bearing	8044697
E8044698	Bearing Block, Lower	Swing Hanger Bearing	8044698
E8339785	Boot, Dust Seal Guard	GP Clasp, MP1500, F40PH, F59PH	8339785
E8361943	Boot, Dust Seal Guard	GP Single Shoe, SD Single Shoe & Clasp	8361943
E8339786	Clamp, Dust Seal Guard	GP Clasp, MP1500, F40PH, F59PH	8339786
E8401930	Clevis	GP, F40PH, F59PH, SD70-75	8401930
E8401928	Clip, Pin Head Retaining	GP, SD, SD70-75, F59PH	8401928
E8441548	Guide Assembly	GP & MP15, Single Shoe	8441548
E8466631	Guide Assembly	GP50 Single Shoe	8466631
E8104189	Holder Suspension Cast Type	Traction Motor Nose Support	8104189
E8442225	Safety Strap	GP & MP15, Low Profile, Single Shoe	8442225
E8133930	Sleeve, Bottom	GP & SD, Clasp	8133930
E8102142	Spring Hanger Assembly	EMD Switcher	8102142
E9334248	Spring Pack, Suspension Assembly	Traction Motor Nose Support	9334248
E8099550	Square "Slide" Washer	GP Clasp, Slack Adjuster	8099550
E8339952	Suspension Pack, Traction Motor	Traction Motor Nose Support	8339952
E8068222	Swing Hanger, GP High Profile	GP Blomberg, Clasp & Single Shoe	8068222
E8068222PB	With thermoplastic bushings		
E8442296	Swing Hanger, GP Low Profile	GP & MP15, Single Shoe, Low Profile	8442296
E8442296PB	With thermoplastic bushings		
E4993721	Vertical Shock Absorber	GP & F59PH, Single Shoe	4993721



E8442225



E8068222

**EMD SWITCHER STYLE TRUCKS:**

- Universal/AAR/Rigid style Trucks
- Flexible ("Flexicoil") style Trucks

**LEVERS**

PowerRail P/N	Description	Application	OEM Reference
E8044914	Brake Lever, brake head hanger, steel bushings	EMD Switcher	8044914
E8044914PB	With thermoplastic bushings		
E8107338	Brake Lever, brake head hanger, steel bushings	EMD Switcher	8107338
E8107338PB	With thermoplastic bushings		
E8227787	Brake Cylinder Lever, steel bushings	EMD Switcher	8227787
E8227787PB	With thermoplastic bushings		
E40035166	Brake Cylinder Lever, steel bushings	GP & MP15, Clasp & Single Shoe	40035166, 8060826
E40035166PB	With thermoplastic bushings		
E8044915	Hand Brake Cylinder Lever, steel bushings	EMD Switcher	8044915
E8044915PB	With thermoplastic bushings		
E8381754	Hand Brake Cylinder Lever	EMD Flexible Switcher	8381754
E8381754PB	With thermoplastic bushings		
E8107339	Hand Brake Cylinder Lever, steel bushings	EMD Switcher	8107339
E8107339PB	With thermoplastic bushings		

**BRAKE HEADS**

PowerRail P/N	Description	Application	OEM Reference
E8151703	Brake Head, steel bushings	EMD Switcher	8151703
E8151703PB	With thermoplastic bushings		
E8242785	Brake Head, steel bushings	EMD Switcher	8242785
E8242785PB	With thermoplastic bushings		

**BRAKE HANGERS**

PowerRail P/N	Description	Application	OEM Reference
E8044912	Brake Head Hanger Lever, steel bushings	EMD Switcher	8044912
E8044912PB	With thermoplastic bushings		
E8044911	Brake Head Hanger Lever, steel bushings	EMD Switcher	8044911
E8044911PB	With thermoplastic bushings		



**EMD SWITCHER STYLE TRUCKS:**

- Universal/AAR/Rigid style Trucks
- Flexible ("Flexicoil") style Trucks

**ELLIPTICAL AND COIL SPRINGS**

PowerRail P/N	Description	Application	OEM Reference
E8100102	Elliptic Leaf Spring	EMD Switcher, AAR/Universal/Rigid	8100102
E8242006	Triple Coil Bolster Spring Assembly	EMD Flexible Switcher	8242006
E8228051	Triple Coil Journal Spring Assembly	EMD Flexible Switcher	8228051
E8100585	Triple Coil Spring Assembly	EMD Switcher, AAR/Universal/Rigid	8100585

**SLACK ADJUSTERS AND CONNECTION STRAPS**

PowerRail P/N	Description	Application	OEM Reference
E9334230	Slack Adjuster	EMD Switcher, Clasp Brakes	8478846, 8478845, 8107323, 8044910, 8494013, 9334230
E8044913MOD	Connection Strap	EMD Switcher, AAR/Rigid/Universal/ Flexible, Fat 40" Wheels	8044913
E8044913MODPB	With thermoplastic bushings		
E8228267MOD	Connection Strap	EMD Switcher, Flexible, Fat 40" Wheels	8228267
E8228267MODPB	"Fat 40" with thermoplastic bushings		
E8228266MOD	Connection Strap	EMD Switcher, Fat 40" Wheels	8228266
E8228266MODPB	"Fat 40" with thermoplastic bushings		

**WEAR PLATES AND LINERS**

PowerRail P/N	Description	Application	OEM Reference
E8048966	Inner Ring	EMD Switcher	8048966
E8025096	Outer Ring	EMD Switcher	8025096
E8100805	Pedestal Liner, Steel	EMD Universal Switcher	8100805
E8100805MOD	Pedestal Liner, Nylatron		
E40010820	Pedestal Liner Kit	GP, SD, SW Flexible Switcher	40010820
PRD16184423	Pedestal Liner	GP, SD, SW	16184423, 8432882, 9324108, 40010049, 40012413
E8261813	Wear Plate	EMD Switcher	8261813
E8025678	Wear Plate	EMD Switcher	8025678
E8254066	Wear Plate	EMD Switcher, Draft Gear Coupler Pocket	8254066
E8044774	Wear Plate	EMD Switcher	8044774
E8261828	Wear Plate	EMD Flexible Switcher	8261828



**EMD SWITCHER STYLE TRUCKS:**

- Universal/AAR/Rigid style Trucks
- Flexible (“Flexicoil”) style Trucks

**MISCELLANEOUS**

Swing Hangers, Bearing Blocks, & Various Components for EMD-Style Locomotive Trucks

PowerRail P/N	Description	Application	OEM Reference
E8402990	Boot, Dust Seal Guard	EMD Switcher	8402990
E8365272	Clamp, Dust Seal Guard	EMD Switcher	8365272
E8104189	Holder, Suspension	Traction Motor Nose Support	8104189
E8100297	Key, Spring Hanger Support, 5” Spring	EMD Switcher	8100297
E8100586	Key, Spring Hanger Support, 6” Spring	EMD Switcher	8100586
E8025098	Pedestal Tie Bar	EMD Switcher	8025098
E8044684	Pedestal Tie Bar	EMD Flexible Switcher, GP & MP15 Clasp, F59PH; Single Shoe	8044684
E8044683	Safety Strap	GP & MP15 Clasp, GP Single Shoe, High or Low Profile	8044683
E8060304	Spacer, Slack Adjuster Pin Assembly	EMD Switcher, Universal and Flexible	8060304
E9519428	Spring Plank Assembly	GP & F59PH, Single Shoe	9519428
E8100012	Spring Seat	EMD Switcher	8100012
E8339952	Suspension Pack	SW, GP, SD, Traction Motor Nose Support	8339952
E8059990	Sleeve	EMD Switcher	8059990
E8343538	Stabilizer Guide Assembly	EMD AAR Switcher	8343538
E8241620	Stabilizer Guide Assembly	EMD Switcher, Flexible. Guide and Connection Strap enhancement available*	8241620
E9334248	Traction Motor Nose Suspension Assembly	SW, GP, SD	9334248
E8104188	Wear Plate, Traction Motor Nose Support	SW, GP, SD	8104188

**SD 3 AXLE STYLE TRUCKS:**  
 - HTC, HTCR  
 - Flexible (“Flexicoil”) Single Shoe or Clasp

**LEVERS**

PowerRail P/N	Description	Application	OEM Reference
E9500246	Brake Lever	3 Axle Truck, Flexicoil & HTC	9500246
E9500246PB	With thermoplastic bushings		
E9500247	Brake Lever	3 Axle Truck, Flexicoil & HTC	9500247
E9500247PB	With thermoplastic bushings		
E8334026	Brake Lever	GP, MP15, & SD with Clasp Brakes	8334026
E8334026PB	With thermoplastic bushings		
E8334027	Brake Lever	Left Rear/Rt Front Outside Yoke Lever for GP & SD clasp	8334027
E8334027PB	With thermoplastic bushings		
E8406981	Brake Lever	SD, Clasp Brakes	8406981
E8406981PB	With thermoplastic bushings		
E8497648	Brake Cylinder Lever	GP & SD Clasp, F40PH Single Shoe	8497648
E8497648PB	With thermoplastic bushings		
E40035166	Brake Cylinder Lever	GP Clasp & Single Shoe, SD Clasp, Universal Switcher	40035166, 8060826
E40035166PB	With thermoplastic bushings		
E40034696	Brake Cylinder Lever	SD HTC, Single Shoe	8401948, 8425850, 8497252, 40034696
E40034696PB	With thermoplastic bushings		
E40035199	Hand Brake Cylinder Lever	GP Clasp, GP Single Shoe, SD Clasp	40035199, 8060825, 8497728
E40035199PB	With thermoplastic bushings		
E40042729	Hand Brake Cylinder Lever	SD HTC, Single Shoe	40042729, 8402294, 9332919
E40042729PB	With thermoplastic bushings		
E40034694	Hand Brake Cylinder Lever	SD HTC, Single Shoe	40034694, 8464207, 9503873
E40034694PB	With thermoplastic bushings		
E8495063	Hand Brake Cylinder Lever	SD HTC, Singel Shoe	8495063
E8495063PB	With thermoplastic bushings		



E8334026

**SD 3 AXLE STYLE TRUCKS:**  
 - HTC, HTCR  
 - Flexible ("Flexicoil") Single Shoe or Clasp

**BRAKE HEADS**

PowerRail P/N	Description	Application	OEM Reference
E8160060	Brake Head	GP & SD with Clasp Brakes	8160060
E8160060PB	With thermoplastic bushings		
E8388332	Brake Head	GP or SD, Single Shoe	8388332
E8388332PB	With thermoplastic bushings		
E8388332CANTED	Canted version		
E8388332CANTEDPB	Canted version with thermoplastic bushings		

**BRAKE HANGERS**

PowerRail P/N	Description	Application	OEM Reference
E8389488	Brake Hanger	SD HTC and Flexicoil	8389488
E8389488PB	With thermoplastic bushings		
E8401941	Brake Hanger	SD HTC and Flexicoil	8401941
E8401941PB	With thermoplastic bushings		
E8406982	Brake Hanger Assembly	SD Flexicoil, Clasp Brakes	8406982
E8406982PB	With thermoplastic bushings		

**ELLIPTICAL AND COIL SPRINGS**

PowerRail P/N	Description	Application	OEM Reference
E9085317	Double Coil Journal Spring Assembly	GP & SD, Various Applications	9085317, 8272084
E9317677	Double Coil Spring Assembly	SD Flexicoil, Single Shoe	9317677
E9317681	Double Coil Spring Assembly	SD Flexicoil, Clasp Brakes	9317681

**SLACK ADJUSTERS AND BRAKE STRAPS**

PowerRail P/N	Description	Application	OEM Reference
E40039040	Slack Adjuster, Long	SD HTC & Flexicoil, Single Shoe	8466934, 8482674, 9086004, 9523537, 9516057, 40039040
E40039040PB	With thermoplastic bushings		
E40039041	Slack Adjuster, Short	SD HTC & Flexicoil, Single Shoe	8482672, 9513003, 8482673, 8441495, 8441496, 9513012, 9527112, 40039041
E40039041PB	With thermoplastic bushings		
E40041531	Slack Adjuster	SD Flexicoil & HTCR, Single Shoe	8441497, 8486957, 9526091, 40041531
E40041531PB	With thermoplastic bushings		
E40041535	Slack Adjuster	SD, Single Shoe	40041535
E40041535PB	With thermoplastic bushings		



**SD 3 AXLE STYLE TRUCKS:**  
 - HTC, HPCR  
 - Flexible ("Flexicoil") Single Shoe or Clasp

**WEAR PLATES AND LINERS**

PowerRail P/N	Description	Application	OEM Reference
E8492124	Center Bowl Liner, 2 Piece	SD, Clasp & Single Shoe	8492124, 8431433, 9088857, 8431432, 9330491, 40017554
E40010820	Pedestal Liner Kit, with Mounting Hardware	GP, SD, SW Flexible Switcher	40010820
PRD16184423	Pedestal Liner, with Washer Inserts	GP, SD, SW	16184423, 8432882, 9324108, 40010049, 40012413
E40020765	Spring Pad	GP & SD	40020765
E8121446	Wear Plate, Coupler	SW, GP, MP15, GT26	8121446
E8259592	Wear Plate, Coupler Carrier	GP & SD	8259592
E8336782-3/8	Wear Plate, Coupler Carrier	GP & SD	8336782-3/8
E8336782-3/4	Wear Plate, Coupler Carrier	GP & SD	8336782-3/4
E8104188	Wear Plate	Traction Motor Nose Support	8104188

**MISCELLANEOUS**

Swing Hangers, Bearing Blocks, & Various Components for EMD-Style Locomotive Trucks

PowerRail P/N	Description	Application	OEM Reference
E8361943	Boot, Dust Seal Guard	GP Single Shoe, SD Clasp & Single Shoe	8361943
E8401930	Clevis	GP, MP15, & SD; Clasp & Single Shoe	8401930
E8401928	Clip, Pin Retaining	GP, F59PH, SD Flexicoil & HTC, SD70-75, SD90; Single Shoe	8401928
E40033871	Guide Assembly	GP, F59PH & SD HTC; Single Shoe	40033871
E40033873	Guide Assembly	GP, F59PH & SD HTC; Single Shoe	40033873
E8401937	Guide Assembly	GP, F40PH, F59PH, & SD HTC; Single Shoe	8401937
E8401938	Guide Assembly	GP, F40PH, F59PH, & SD HTC; Single Shoe	8401938
E8401940	Guide Assembly	SD HTC, Single Shoe	8401940
E8104189	Holder	Traction Motor Nose Support	8104189
E4974695	Lateral Shock Absorber	SD HTC, GP, F40PH, F59PH, SD HTC; Single Shoe	4974695
E8339952	Suspension Pack	Traction Motor Nose Support	8339952
E8431472	Stabilizer Bar	SD HTC, Single Shoe	8431472
E8431473	Stabilizer Bar	SD HTC, Single Shoe	8431473
E9334248	Traction Motor Nose Support Assembly	Traction Motor Nose Support	9334248
E22012514	Vertical Shock Absorber	GP, F40PH, SD HTC; Single Shoe	9337287, 22012514

**EMD-STYLE PINS AND BUSHINGS**

PowerRail also offers Thermoplastic Solutions for every EMD-Style bushing and ferrule

PowerRail P/N	Description	Application	OEM Reference
E8052337	Bushing	Multiple EMD Brake Rigging and Truck Frame Applications	8052337
E8052339	Bushing	Multiple EMD Brake Rigging and Truck Frame Applications	8052339
E8052341	Bushing	Multiple EMD Brake Rigging and Truck Frame Applications	8052341
E8052343	Bushing	Multiple EMD Brake Rigging and Truck Frame Applications	8052343
E8403013	Bushing	Multiple EMD Brake Rigging and Truck Frame Applications	8403013
E8032161	Bushing	Multiple EMD Brake Rigging and Truck Frame Applications	8032161
E8052334	Bushing	Multiple EMD Brake Rigging and Truck Frame Applications	8052334
E8052335	Bushing	Multiple EMD Brake Rigging and Truck Frame Applications	8052335
E8052336	Bushing	Multiple EMD Brake Rigging and Truck Frame Applications	8052336
E8059914	Bushing	Multiple EMD Brake Rigging and Truck Frame Applications	8059914
E8059991	Bushing	Multiple EMD Brake Rigging and Truck Frame Applications	8059991
E8059992	Bushing	Multiple EMD Brake Rigging and Truck Frame Applications	8059992
E8065516	Bushing	Multiple EMD Brake Rigging and Truck Frame Applications	8065516
E8065519	Bushing	Multiple EMD Brake Rigging and Truck Frame Applications	8065519
E8065520	Bushing	Multiple EMD Brake Rigging and Truck Frame Applications	8065520
E8160207	Bushing	Multiple EMD Brake Rigging and Truck Frame Applications	8160207
E8351045	Bushing	Multiple EMD Brake Rigging and Truck Frame Applications	8351045
E8336929	Bushing	Multiple EMD Brake Rigging and Truck Frame Applications	8336929
E8052342	Bushing	Connection Strap, GP & SD Clasp	8052342
E8060214	Bushing	Connection Strap, EMD Switcher	8060214
E8107553	Bushing	Brake Head, GP, F59PH, & MP15 Clasp, SD Clasp	8107553
E8060203	Bushing	Brake Head, EMD Switcher	8060203
E8068058	Bushing	EMD Truck Frame	8068058
E8068059	Bushing	EMD Truck Frame	8068059
E8340530	Bushing, Split	Traction Motor Nose Support	8340530
E8068056	Bushing	EMD Truck Frame, Swing Hanger Location	8068056
E8102087	Bushing	GP Clasp, Swing Hanger Assembly	8102087
E8309537	Bushing	GP Clasp, Swing Hanger Assembly, .008 oversized	8309537
E8309538	Bushing	GP Clasp, Swing Hanger Assembly, .030 oversized	8309538
E8309539	Bushing	GP Clasp, Swing Hanger Assembly, .050 oversized	8309539
E8068057	Bushing	EMD Truck Frame	8068057
E8157956	Ferrule	GP, MP15, SD; Clasp, Brake Hanger	8157956
E8235914	Ferrule	GP, MP15, F40PH, F59PH, SD; Single Shoe, Brake Hanger	8235914
E8414039	Ferrule	GP, MP15, SD; Clasp, Brake Hanger	8414039



E8032161

E8309537



**PINS AND BUSHINGS (CONTINUED)**

PowerRail also offers Thermoplastic Solutions for every EMD-Style bushing and ferrule

PowerRail P/N	Description	Application	OEM Reference
E8414038	Ferrule	GP, MP15, SD; Clasp, Brake Hanger	8414038
E8413777	Ferrule	GP, MP15, F59PH, SD; Single Shoe, Brake Head Location	8413777
E8157943	Ferrule	GP & SD, Clasp Brakes	8157943
E8157944	Ferrule	GP & SD, Clasp Brakes	8157944
E8354685	Ferrule	GP & SD, Clasp Brakes	8354685

PowerRail P/N	Description	Application	OEM Reference
E8365142	Pin, Hanger to Frame	EMD Switcher, Universal	8365142
E8099395	Pin, Hanger to Frame	GP & MP15, SD Flexicoil & HTC, SD70-75, SD80	8099395
E8206577	Pin, Hanger to Frame	GP & MP15, SD Flexicoil & HTC, SD70-75, SD80	8206577
E8227780	Pin, Hanger to Frame	EMD Switcher, Flexible	8227780
E8227781	Pin, Hanger to Frame	EMD Switcher, Flexible	8227781
E8227782	Pin, Hanger to Frame	EMD Switcher, Flexible	8227782
E8227783	Retainer, Brake Cylinder Pin	EMD Switcher, Flexible	8227783
E8078796	Pin, Equalizer	EMD Switcher, Universal	8078796
E8100127	Pin Assembly, Brake Head	EMD Switcher, Universal & Flexible	8100127
E8406983	Pin Assembly, Lever Pivot	GP, MP15, SD; Clasp Brakes	8406983
E9526180	Pin Assembly, Slack Adjuster	EMD 2 & 3 Axle, Single Shoe	9526180
E8044916	Pin Assembly, Lever to Frame	EMD Switcher, Universal & Flexible	8044916
E8044918	Pin Assembly, Lever to Connection Strap	EMD Switcher, Universal & Flexible	8044918
E8157953	Pin Assembly, Brake Head	GP, MP15, SD; Clasp Brakes	8157953
E8354684	Pin Assembly, Brake Head	GP, MP15, SD; Clasp Brakes	8354684
E8356558	Pin Assembly, Brake Head	GP, MP15, SD; Single Shoe	8356558
E8379609	Pin Assembly, Brake Head	GP, MP15, SD; Single Shoe	8379609
E8401933	Pin Assembly, Clevis Mounting	GP, F59PH, & MP15, Clasp & Single Shoe, SD Single Shoe	8401933
E8334030	Pin Assembly, Lever to Connection Strap	GP, MP15, SD; Clasp Brakes	8334030
E8090839	Pin Assembly, Slack Adjuster	GP, MP15, SD; Clasp Brakes	8090839
E8333166	Pin Assembly, Slack Adjuster	GP, MP15, F59PH, SD Flexicoil & HTC, SD70-75, SD 80-90; Single Shoe	8333166
E8400551	Pin Assembly	SD Flexicoil & HTC, Single Shoe	8400551
E8060303	Pin Assembly, Slack Adjuster	EMD Switcher, Universal & Flexible	8060303
E8090843	Pin, Lever to Frame	GP, MP15, F59PH; Clasp & Single Shoe, SD Clasp	8090843
E8386599	Pin, Lever to Frame	SD HTC & Flexicoil; Clasp & Single Shoe	8386599

E8078796

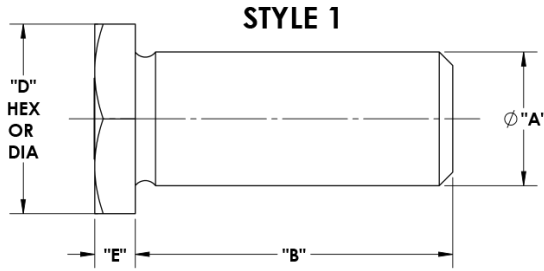


E8354684



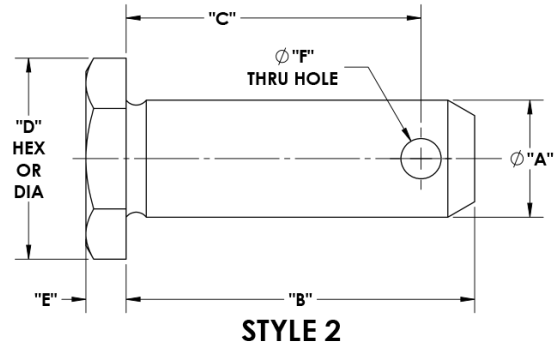


**HARDENED AND GROUND STEEL PINS**



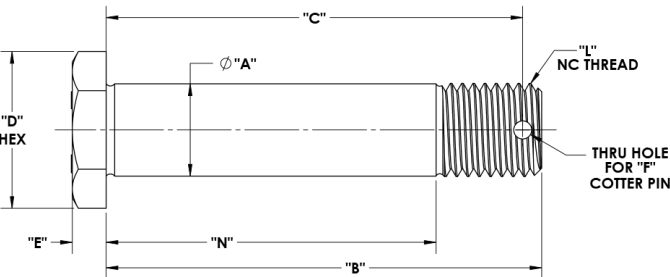
Style #	Pin #	A	B	C	D	E	F
2	10720	23/32	3 3/16	2 5/8	1 1/4 DIA	3/8	5/16
2	5001	31/32	3	2 1/2	1 1/2 DIA	3/8	3/8
2	5008	1 3/32	3 1/4	2 3/4	1 5/8 DIA	3/8	3/8
2	5009	1 3/32	3 1/2	3	1 5/8 DIA	3/8	3/8
2	8603	1 3/32	3 3/4	3 3/8	1 5/8 DIA	3/8	3/8
2	5010	1 3/32	4	3 1/2	1 5/8 DIA	3/8	3/8
2	5011	1 3/32	4 1/2	4	1 5/8 DIA	3/8	3/8
2	8462	1 3/32	4 7/8	4 13/32	1 3/4 DIA	3/8	5/16
2	8912	1 7/64	2 7/8	2 3/8	1 5/8 DIA	3/8	3/8
2	5509	1 7/64	4	3 5/16	1 5/8 DIA	3/8	3/8
2	8122	1 7/32	2 15/16	5/8	1 7/8 HEX	3/8	3/8
2	8880	1 7/32	3 7/8	3 5/16	1 7/8 HEX	3/8	3/8
2	9624	1 7/32	4 1/8	3 5/8	1 7/8 DIA	3/8	3/8
2	5013	1 7/32	4 1/4	3 3/4	1 7/8 DIA	3/8	3/8
2	8115	1 7/32	6	5 7/16	1 7/8 DIA	3/8	1/2
2	11322	1 7/32	6 5/8	6 1/16	1 5/8	5/16	3/8
2	5508	1 15/64	3 3/16	2 5/8	1 7/8 DIA	3/8	3/8
2	5517	1 15/64	4	3 7/16	1 7/8 DIA	3/8	3/8
2	5519	1 15/64	5 1/4	4 3/4	1 7/8 DIA	3/8	3/8
2	5505	1 15/64	5 9/16	5	1 7/8 DIA	3/8	3/8
2	10397	1 11/32	3 13/16	3 1/4	1 7/8 DIA	3/8	3/8
2	5521	1 11/32	4 1/4	3 1/2	1 7/8 DIA	3/8	3/8
2	10117	1 11/32	4 11/16	4 3/16	1 7/8 DIA	3/8	3/8
2	9102	1 23/64	3 5/16	2 11/16	1 7/8 HEX	3/8	7/16
2	8497	1 15/32	3 7/8	3 11/32	2 DIA	3/8	3/8
2	5024	1 15/32	4 1/2	4	2 1/8 DIA	3/8	3/8
2	8597	1 31/64	3 3/8	5/8	2 1/8 HEX	1/2	3/8
2	8160	1 19/32	5 1/4	4 1/2	2 1/4 DIA	3/8	1/2

Style #	Pin #	A	B	C	D	E
1	8461	1 3/32	4 1/8	-	1 3/4 DIA	3/8
1	8662	1 3/32	4 1/2	-	1 3/4 DIA	3/8
1	8240	1 7/64	3 3/4	-	1 7/16 DIA	3/8
1	6941	1 7/32	3 7/16	-	1 3/4 HEX	3/8
1	9981	1 15/64	2 15/16	-	1 7/8 DIA	7/16
1	6709	1 15/64	4 1/2	-	1 5/8 HEX	3/8
1	8496	1 15/32	3 3/4	-	2 1/4 DIA	7/16
1	9976	1 15/32	4 5/8	-	2 1/4 DIA	7/16
1	9980	1 15/32	5	-	2 1/8 HEX	1/2
1	8905	1 47/64	3 3/4	-	2 1/2 DIA	1/2
1	8907	1 47/64	5 1/2	-	2 1/2 DIA	1/2
1	7639	1 31/32	4 1/2	-	2 5/8 HEX	1/2
1	6061	2 7/32	5 1/2	-	3 DIA	5/8
1	9863	2 7/32	5 3/4	-	3 1/4 DIA	3/8
1	8376	2 15/32	5 3/8	-	3 3/8 DIA	5/8
1	6858	2 1/2	5 3/4	-	3 3/8 DIA	5/8
1	8365	2 23/32	5 1/2	-	3 1/2 DIA	5/8
1	6402	2 23/32	5 7/8	-	3 5/8 DIA	5/8
1	6373	2 23/32	6 1/8	-	3 1/2 DIA	3/4



Style #	Pin #	A	B	C	D	E	F	L	N
4	8156	7/8	9 3/8	9 1/32	2	9/16	5/16	7/8-9	8
4	10846	7/8	9 1/2	-	1 3/8	3/8	-	7/8-9	8 1/16
4	8419	7/8	9 1/2	9 1/8	1 1/2	1/2	5/32	7/8-9	8 1/16
4	8415	7/8	10 3/32	9 3/4	2	9/16	3/16	7/8-9	8 23/32
4	6536	7/8	11 1/4	10 5/16	2	9/16	5/32	7/8-9	9 7/8
4	8414	1	7 1/4	6 7/8	1 1/2	5/16	3/16	1-8	5 1/2
4	9021	1	7 11/16	7 5/16	1 3/4	1/2	1/4	1-8	6 1/16
4	6628	1 7/64	4 3/4	4 5/16	1 3/4	11/16	1/4	7	3 3/16
4	6756	1 7/64	10 9/16	10 3/16	1 5/8	3/8	1/4	7	8 1/2
4	8576	1 7/64	11	10 5/8	1 5/8	1/2	3/16	7	9 1/4
4	8911	1 15/64	13 1/16	12 9/16	1 3/4	5/8	1/4	7	11 1/16
4	9864	1 23/64	6 1/2	6 5/32	1 7/8	1/2	1/4	6	4 3/4
4	11281	1 23/64	6 3/4	-	2	3/8	-	1 3/8-6	5 1/8
4	11288	1 23/64	6 7/8	6 7/16	2	3/8	5/16	1 3/8-6	5 1/8
4	8066	1 23/64	7 5/8	7 3/16	2	3/8	1/4	6	5 5/8
4	7657	1 23/32	6 1/4	5 3/4	2 3/8	3/8	3/8	5	4 1/2
4	8499	1 47/64	8 9/16	8	2 3/8	1/2	3/8	5	6 5/16
4	8906	1 47/64	10 13/16	10 5/16	2 3/8	1/2	3/8	5	8 7/16
4	8908	1 47/64	8 3/4	8 1/4	2 3/8	1/2	3/8	5	6 3/8
4	8910	1 47/64	10 5/16	9 7/8	2 3/8	1/2	3/8	5	7 15/16

**STYLE 4**

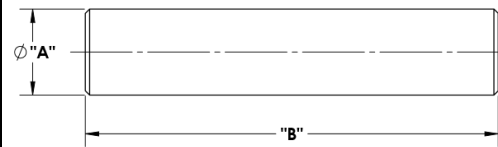


**HARDENED AND GROUND STEEL PINS**

Style #	Pin #	A	B	C	D	E	F	L	N
5	9522	1	6 1/8	-	1 1/2	1/2	-	3/4-10	4 31/32
5	11282	1 3/32	6 1/8	-	1 1/2	3/8	-	3/4-10	4 15/16
5	11283	1 3/32	4 1/8	-	1 1/2	3/8	-	3/4-10	2 15/16
5	11320	1 3/32	6 5/8	-	1 1/2	3/8	-	3/4-10	5 7/16
5	6621	1 3/32	10 1/8	9 3/16	1 1/2	1/2	1/4	1-8	8 1/4
5	11361	1 7/64	4 3/16	3 7/8	1 5/8	3/8	5/32	3/4-10	2 7/8
5	11221	1 7/64	3 13/16	3 1/2	1 5/8	3/8	5/32	3/4-10	2 9/16
5	8070	1 7/64	8 7/8	8 17/32	1 5/8	3/8	5/32	7/8-9	7 3/4
5	11285	1 7/32	2 1/8	-	1 5/8	5/16	-	1-8	1
5	11284	1 7/32	4 11/16	-	1 5/8	3/8	-	7/8-9	3 7/16
5	11247	1 3/32	10	-	1 1/2	1/4	-	7/8-9	8 11/16
5	11314	1 7/32	4	3 11/16	1 5/8	3/8	3/16	7/8-9	2 7/8
5	11321	1 7/32	6 11/16	-	1 5/8	3/8	-	7/8-9	5 7/16
5	11310	1 7/32	14 1/2	-	2 3/8	7/16	-	1 1/8-7	12 7/16
5	8483	1 15/64	4	3 5/8	1 7/8	3/8	1/4	1-8	2 5/16
5	8939	1 15/64	4 1/16	3 11/16	1 3/4	1/2	5/32	7/8-9	2 9/16
5	9204	1 15/64	4 1/8	3 3/4	1 3/4	3/8	5/32	7/8-9	2 5/8
5	7947	1 15/64	4 5/16	4	1 3/4	3/8	5/32	7/8-9	2 7/8
5	8854	1 15/64	4 1/2	4 3/16	1 3/4	3/8	5/32	7/8-9	3 1/16
5	8484	1 15/64	4 3/4	4 3/8	1 7/8	3/8	1/4	1-8	3 3/16
5	8071	1 15/64	6 7/16	6 1/16	1 3/4	1/2	5/32	7/8-9	4 15/16
5	6058	1 15/64	10 5/8	10 7/32	1 3/4	3/8	3/16	1-8	9 5/16
5	8909	1 15/64	10 9/16	10 3/16	1 7/8	1/2	1/4	1-8	9
5	8594	1 11/32	5 9/16	5 3/16	2	3/8	1/4	1-8	3 7/8
5	8593	1 11/32	6 5/16	5 15/16	2	3/8	1/4	1-8	4 5/8
5	6347	1 23/64	4 5/16	3 15/16	2	3/8	1/4	1-8	2 5/8
5	8695	1 23/64	4 3/4	4 3/8	2	3/8	7/32	1-8	3 1/16
5	11362	1 23/64	5 3/4	5 3/8	2	3/8	7/32	1-8	4 1/16
5	8413	1 23/64	8 1/8	7 3/4	2	3/8	7/32	1-8	6 7/16
5	11197	1 1/2	11 9/16	11 3/16	2 1/8	1/2	7/32	1 1/8-7	9 13/16
5	11249	1 23/32	5 19/32	5 11/32	2 1/4	3/8	5/16	1 1/4-7	3 31/32
5	11250	1 23/32	6 7/32	5 31/32	2 1/4	3/8	5/16	1 1/4-7	4 19/32
5	11251	1 23/32	6 3/8	6 1/8	2 1/4	3/8	5/16	1 1/4-7	4 3/4
5	11315	1 23/32	7 1/2	7 1/16	2 1/4	3/8	5/16	1 3/8-6	5 7/8
5	8596	1 47/64	4 25/32	4 9/32	2 3/8	1/2	1/4	1 3/8-6	2 5/8
5	11433	1 47/64	7 5/16	6 15/16	2 3/8	1/2	1/4	1 1/4-7	5 5/8
5	6707	1 47/64	8 17/32	8 3/32	2 3/8	1/2	1/4	1 3/8-6	6 7/16
5	8507	1 31/32	6 5/8	6 3/16	2 5/8	1/2	5/16	1 1/2-6	4 3/8

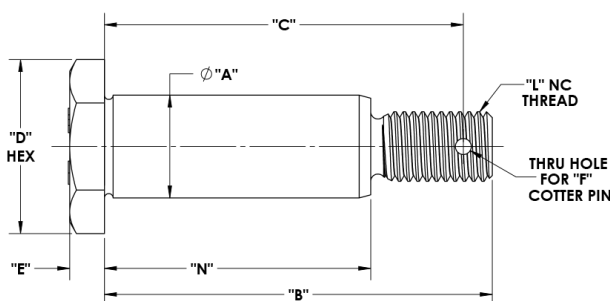
Style #	Pin #	A	B
6	10654	1 3/32	3 7/32
6	8089	1 1/4	17 3/8
6	5525	1 23/32	5 1/2
6	6732	2 1/4	12 1/2
6	8521	2 31/32	12 1/2
6	6760	3	12 1/8
6	7803	3 17/32	12 3/4
6	7964	3 15/16	13
6	10954	3 17/32	13

**STYLE 6**

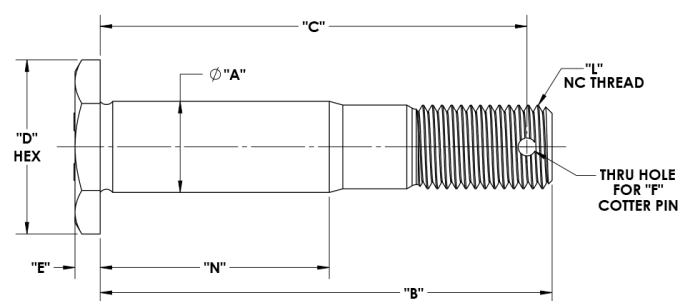


Style #	Pin #	A	B	C	D	E	F	L	N
7	1363	1 23/64	6 15/16	6 9/16	2 1/4	3/8	1/4	1 1/4-7	4
7	11222	1 23/64	6 3/4	6 3/8	2 1/4	3/8	1/4	1 1/4-7	3 5/8
7	11209	1 3/4	7 7/16	7	2 1/4	5/8	1/4	1 1/4-7	4 3/8
7	6708	1 3/4	8 1/2	8 1/16	2 1/4	5/8	1/4	1 1/4-7	5 3/8
7	11434	1 3/4	9 1/8	8 2/3	2 3/8	1/2	1/4	1 1/4-7	6

**STYLE 5**

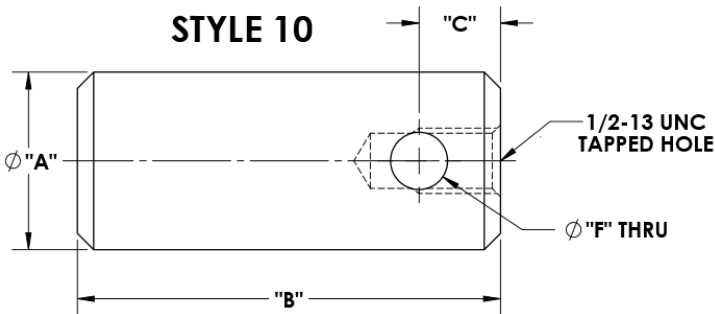
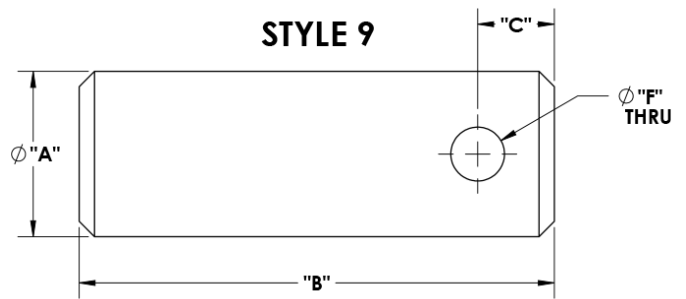
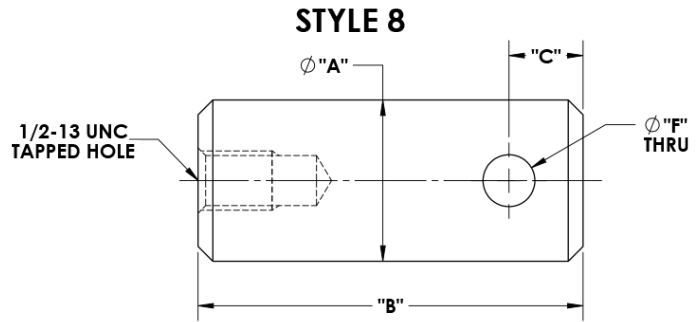


**STYLE 7**

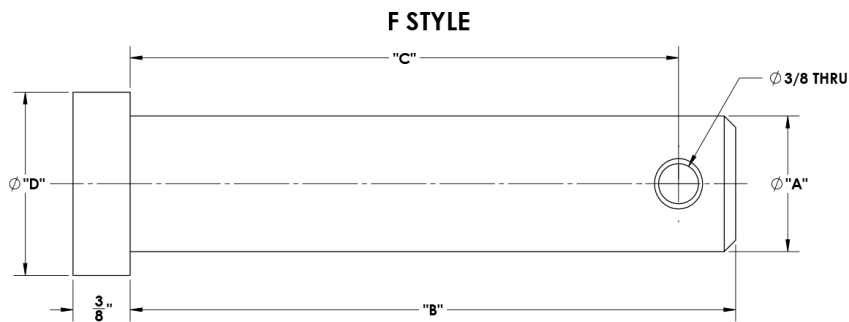


**HARDENED AND GROUND STEEL PINS**

Style #	Pin #	A	B	C	E	F
8	11228	1 11/32	3 1/8	1/2	-	7/16
8	8416	1 23/64	4 1/2	5/8	-	7/16
8	7920	1 23/64	3 9/32	39/64	-	7/16
9	11246	1 7/64	6 1/2	17/32	-	5/16
9	11223	1 11/32	3 7/8	5/8	-	7/16
9	11331	1 1/2	8 1/4	2 5/8	-	13/32
9	7654	1 23/32	17 15/16	17 5/16	9/16	-
10	11328	1 11/32	4	3/4	-	7/16
10	7921	1 23/64	3 9/32	39/64	-	7/16



Pin #	A	B	C	D
F-10897	1	3 3/8	2 7/8	1 5/8
F-10837	1	5 1/16	4 9/16	1 5/8
F-10895	1	5 3/8	4 7/8	1 5/8
F-11370	1.09375	2	1 3/16	1 5/8
F-11305	1.09375	2 1/2	2 1/16	1 5/8
F-11371	1.09375	2 5/8	2	1 5/8
F-11323	1.09375	2 3/4	2 1/8	1 5/8
F-8563	1.09375	3 1/8	2 1/2	1 5/8
F-5008	1.09375	3 1/4	2 3/4	1 5/8
F-5009	1.09375	3 1/2	3	1 5/8
F-10595	1.09375	3 7/8	3 1/4	1 5/8
F-5010	1.09375	4	3 1/2	1 5/8
F-5011	1.09375	4 1/2	4	1 5/8
F-8566	1.09375	5 1/8	4 1/2	1 5/8
F-9430	1.09375	5 3/8	4 3/4	1 5/8
F-9431	1.09375	5 5/8	5	1 5/8
F-9432	1.09375	6	5 3/8	1 5/8
F-9450	1.09375	6 3/8	5 7/8	1 5/8
F-10838	1.109375	3 5/8	3 1/8	1 5/8
F-10879	1.109375	5 1/16	4 9/16	1 1/2
F-8565	1.21875	3 1/2	3	1 7/8
F-8880	1.21875	3 7/8	3 5/16	1 7/8
F-9793	1.34375	3 9/16	3	1 7/8
F-5521	1.34375	4 1/4	3 1/2	1 7/8
F-8497	1.46875	3 7/8	3 11/32	2

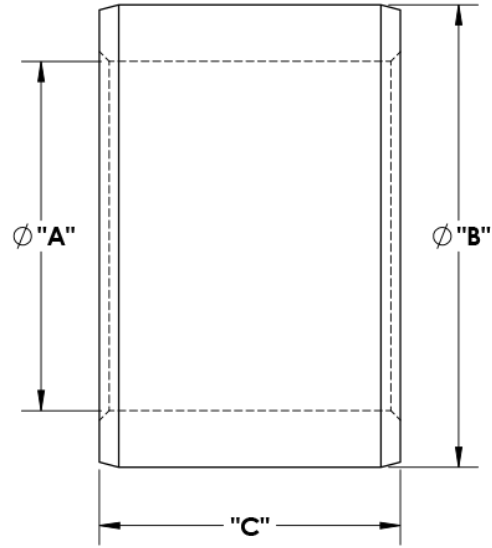




**HARDENED AND GROUND STEEL BUSHINGS**

Style #	Bush #	A	B	C
1	16634	5/7	0.945	7/8
1	4229	1	1.383	1/2
1	4048	1	1.383	3/4
1	2100	1	1.383	1
1	3932	1	1.383	1 1/2
1	15768	1 1/8	1.383	1/2
1	15042	1 1/8	1.490	5/8
1	15133	1 1/8	1.490	3/4
1	3418	1 1/8	1.490	1
1	3974	1 1/8	1.490	1 1/4
1	3984	1 1/8	1.490	1 1/2
1	2129	1 1/8	1.490	1/2
1	2142	1 1/8	1.508	5/8
1	2131	1 1/8	1.508	3/4
1	2107	1 1/8	1.508	15/16
1	2109	1 1/8	1.508	1
1	2132	1 1/8	1.508	1 1/4
1	2105	1 1/8	1.508	1 1/2
1	3697	1 1/8	1.633	1
1	3599	1 1/8	1.633	1 1/4
1	3421	1 1/4	1.615	5/8
1	15027	1 1/4	1.615	3/4
1	15264	1 1/4	1.615	29/32
1	3419	1 1/4	1.615	1
1	3308	1 1/4	1.615	1 3/32
1	3975	1 1/4	1.615	1 1/4
1	15026	1 1/4	1.615	1 1/2
1	15168	1 1/4	1.615	2 1/32
1	15269	1 1/4	1.615	2 3/8
1	2147	1 1/4	1.633	5/8
1	2127	1 1/4	1.633	3/4
1	2108	1 1/4	1.633	1
1	2112	1 1/4	1.633	1 1/8
1	2110	1 1/4	1.633	1 1/4
1	2115	1 1/4	1.633	1 1/2
1	2133	1 1/4	1.633	1 5/8
1	2141	1 1/4	1.633	2
1	4282	1 1/4	1.633	2 1/4
1	15224	1 1/4	1.758	7/8
1	4997	1 1/4	1.758	15/16
1	3549	1 1/4	1.758	1
1	8669	1 1/4	1.758	1 1/16
1	2102	1 1/4	1.758	1 1/8
1	2146	1 1/4	1.758	1 3/8
1	3550	1 1/4	1.758	3 3/8
1	15978	1 3/8	3.114	1 3/32
1	15171	1 3/8	1.740	5/8
1	3982	1 3/8	1.740	3/4

**STYLE 1**

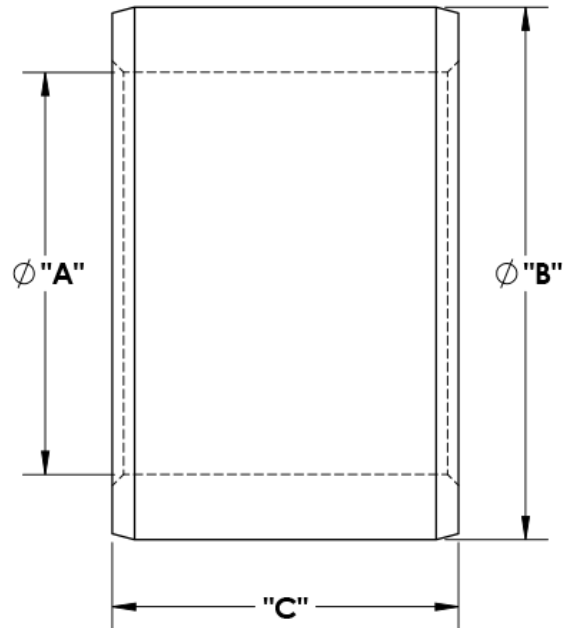


Style #	Bush #	A	B	C
1	3976	1 3/8	1.740	1
1	15046	1 3/8	1.740	1 1/4
1	3318	1 3/8	1.740	2
1	2118	1 3/8	1.758	5/8
1	2122	1 3/8	1.758	3/4
1	2149	1 3/8	1.758	7/8
1	2117	1 3/8	1.758	1
1	2153	1 3/8	1.758	1 1/4
1	2134	1 3/8	1.758	1 1/2
1	3580	1 3/8	1.758	2
1	3228	1 3/8	1.883	1
1	3595	1 3/8	1.883	1 1/8
1	15620	1 3/8	2.115	1
1	3420	1 1/2	1.865	5/8
1	3987	1 1/2	1.865	3/4
1	15167	1 1/2	1.865	1
1	3988	1 1/2	1.865	1 1/4
1	3328	1 1/2	1.865	1 1/2
1	3986	1 1/2	1.865	2 7/32
1	15176	1 1/2	1.865	2 5/8
1	2119	1 1/2	1.883	5/8
1	2120	1 1/2	1.883	3/4
1	2154	1 1/2	1.883	7/8
1	2148	1 1/2	1.883	1
1	2125	1 1/2	1.883	1 1/4
1	2130	1 1/2	1.883	1 1/2
1	4995	1 1/2	1.883	2 5/8
1	3671	1 1/2	2.008	1
1	3011	1 1/2	2.008	1 1/8
1	4989	1 1/2	2.008	1 1/4
1	3983	1 5/8	1.990	5/8
1	3923	1 5/8	2.008	5/8

**HARDENED AND GROUND STEEL BUSHINGS**

Style #	Bush #	A	B	C
1	2136	1 5/8	2.008	1 1/8
1	3105	1 5/8	2.133	2 1/4
1	15255	1 3/4	2.115	5/8
1	15596	1 3/4	2.115	1
1	3981	1 3/4	2.115	1 1/16
1	15254	1 3/4	2.115	1 1/4
1	3980	1 3/4	2.115	2
1	15006	1 3/4	2.133	5/8
1	4091	1 3/4	2.133	3/4
1	2145	1 3/4	2.133	7/8
1	2156	1 3/4	2.133	1
1	3755	1 3/4	2.133	1 1/16
1	2160	1 3/4	2.133	1 1/2
1	2180	1 3/4	2.133	2
1	3780	1 3/4	2.133	2 3/4
1	2200	1 3/4	2.133	3
1	15723	1 3/4	2.254	4 5/16
1	15259	1 3/4	2.258	15/16
1	2225	1 3/4	2.258	1 1/4
1	2230	1 3/4	2.258	1 1/2
1	2240	1 3/4	2.258	2
1	15650	1 3/4	3.110	1 15/16
1	15084	1 13/16	2.258	2
1	15048	2	2.365	1 1/2
1	4093	2	2.383	1 1/2
1	3971	2	2.383	2
1	2363	2	2.508	1
1	3618	2	2.508	1 1/8
1	3038	2	2.508	1 3/8
1	4026	2	2.508	1 1/2
1	2380	2	2.508	2
1	3716	2	2.508	2 1/4
1	4111	2	2.508	3
1	2432	2 1/4	2.758	1 3/8
1	4949	2 1/4	2.758	2 1/8
1	4112	2 1/4	2.758	2 1/4
1	4565	2 1/4	2.758	3 3/4
1	3046	2 5/16	2.820	1 23/32
1	3047	2 5/16	2.820	2 3/8
1	15461	2 5/16	3.070	2 11/16

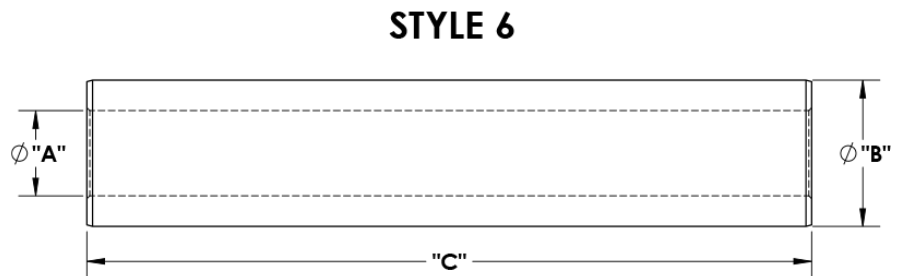
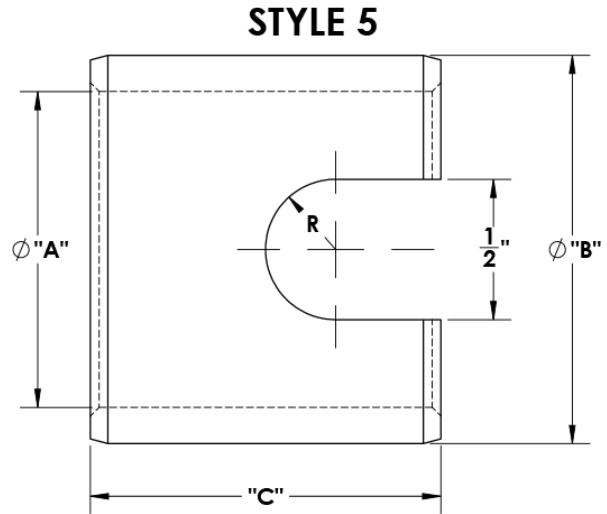
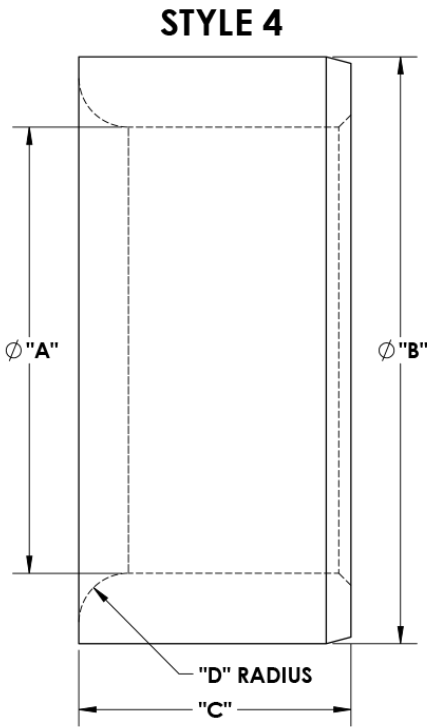
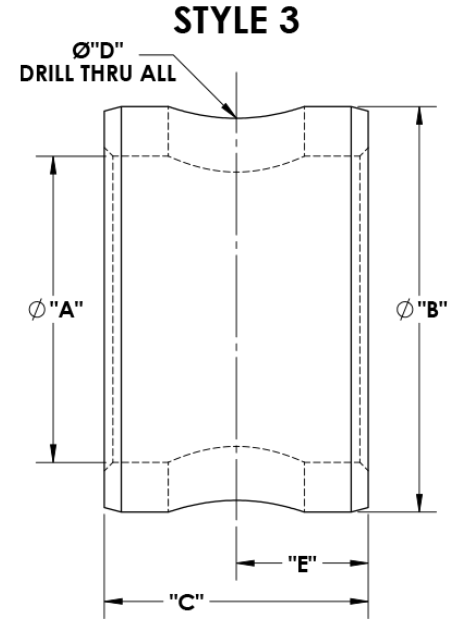
**STYLE 1**




Style #	Bush #	A	B	C
1	3705	2 3/8	2.883	2
1	3908	2 1/2	3.008	1 1/2
1	3909	2 1/2	3.008	2
1	3354	2 27/64	2.740	1 5/8
1	2121	2 27/64	2.758	1 5/8
1	3712	2 3/4	3.258	1 1/2
1	3910	2 3/4	3.258	1 3/4
1	4996	2 3/4	3.258	1 13/16
1	3911	2 3/4	3.258	2
1	4353	2 3/4	3.258	2 1/8
1	3813	2 3/4	3.258	2 1/4
1	3252	3	3.508	2 3/16
1	15150	3	3.508	2 9/16
1	3692	3 1/16	3.696	5 7/8
1	15256	3 1/15	3.552	31/32
1	3875	3 3/32	3.586	2
1	4268	3 3/32	3.633	2
1	3417	3 1/8	3.615	1 1/16
1	16663	3 1/8	3.615	1 5/32
1	3150	3 1/8	3.633	1 3/32
1	3864	3 1/2	3.865	1 1/8
1	15424	3 9/16	4.195	1 15/16
1	15425	3 9/16	4.195	2 7/16
1	15460	3 9/16	4.445	2 9/16

**HARDENED AND GROUND STEEL BUSHINGS**

Style #	Bush #	A	B	C	D	E
3	3255	1 1/4	1.758	1 3/16	1/2	9/16
3	3423	1 3/8	1.758	1 1/4	9/16	1/2
3	15925	1 3/4	2.133	3	7/8	1 1/2
3	15320	1 3/4	2.258	1 3/4	5/8	7/8
4	3761	1 1/8	1.484	11/16	1/8	
4	3068	2 2/3	3.046	3 27/32	5/16	
5	4758	1 1/8	1.383	1 1/4		
6	15487	15/16	1.485	9 13/16		
6	3148	15/16	1.609	7 25/32		
6	3014	15/16	1.609	7 31/32		



**EMD-STYLE TRACTION MOTOR AIR DUCTS AND ASSEMBLIES**

PowerRail P/N	Description	OEM Reference
E8024365	Traction Motor Air Duct, EMD Switcher 	8024365
E8020225	Traction Motor Air Duct, GP, MP, SD Trucks	8020225
E8222838	Traction Motor Air Duct Assembly, EMD Flexible Switcher	8222838
E8341414	Traction Motor Air Duct Assembly, 3 Axle SD Flexicoil & HTC Trucks	8341414
E8442665	Traction Motor Air Duct Assembly, 3 Axle SD HTC Trucks	8442665
E40045238	Traction Motor Air Duct Assembly, SD70	40045238
E40058521	Traction Motor Air Duct Assembly, SD80	40058521
E40075321	Traction Motor Air Duct Assembly, D43	40075321

**HARDWARE FOR EMD-STYLE LOCOMOTIVES**  
 Nuts, Bolts, Cotter Pins, etc.

PowerRail P/N	Description	OEM Reference
E179795	Bolt	179795
E179818	Bolt	179818
E179833	Bolt	179833
E179837	Bolt	179837
E179838	Bolt	179838
E179839	Bolt	179839
E179841	Bolt	179841
E179843	Bolt	179843
E179845	Bolt	179845
E179847	Bolt	179847
E179848	Bolt	179848
E179849	Bolt	179849
E179850	Bolt	179850
E179879	Bolt	179879
E179881	Bolt	179881
E179882	Bolt	179882
E179885	Bolt	179885
E181333	Bolt	181333
E181336	Bolt	181336
E186282	Bolt	186282
E186284	Bolt	186284
E186285	Bolt	186285

PowerRail P/N	Description	OEM Reference
E186288	Bolt	186288
E186290	Bolt	186290
E187201	Bolt	187201
E189787	Bolt	189787
E271556	Bolt	271556
E271558	Bolt	271558
E271560	Bolt	271560
E271562	Bolt	271562
E271563	Bolt	271563
E271565	Bolt	271565
E271566	Bolt	271566
E271569	Bolt	271569
E271570	Bolt	271570
E271571	Bolt	271571
E271572	Bolt	271572
E271583	Bolt	271583
E271587	Bolt	271587
E271607	Bolt	271607
E271609	Bolt	271609
E271611	Bolt	271611
E271613	Bolt	271613
E271614	Bolt	271614
E271615	Bolt	271615



**HARDWARE FOR EMD-STYLE LOCOMOTIVES (CONTINUED)**

**Nuts, Bolts, Cotter Pins, etc.**

PowerRail P/N	Description	OEM Reference
E271616	Bolt	271616
E271617	Bolt	271617
E271618	Bolt	271618
E271619	Bolt	271619
E271621	Bolt	271621
E271623	Bolt	271623
E271656	Bolt	271656
E271657	Bolt	271657
E271660	Bolt	271660
E271662	Bolt	271662
E271666	Bolt	271666
E271705	Bolt	271705
E271706	Bolt	271706
E271708	Bolt	271708
E271710	Bolt	271710
E272553	Bolt	272553
E272554	Bolt	272554
E450517	Bolt	450517
E8034225	Bolt	8034225
E8098644	Bolt	8098644
E8101925	Bolt	8101925
E8102918	Bolt	8102918
E8120852	Bolt	8120852
E8245294	Bolt	8245294
E8247841	Bolt	8247841
E8350867	Bolt	8350867
E8360844	Bolt	8360844
E8384520	Bolt	8384520
E8386494	Bolt	8386494
E8441566	Bolt	8441566
E8453049	Bolt	8453049
E8458638	Bolt	8458638
E9411374	Bolt	9411374
E9430285	Bolt	9430285

PowerRail P/N	Description	OEM Reference
E9437774	Bolt	9437774
E9569402	Bolt	9569402
E8217793	Bracket	8217793
E9337247	Bracket	9337247
E9337252	Bracket	9337252
E9529871	Bracket	9529871
E9564810	Bracket	9564810
E9564811	Bracket	9564811
E40018118	Bracket - LH	40018118
E40018117	Bracket - RH	40018117
E1056408	Capscrew	1056408
E273023	Capscrew	273023
8456065	Capscrew	8456065
E103384	Cotter Pin	103384
E103385	Cotter Pin	103385
E103398	Cotter Pin	103398
E103399	Cotter Pin	103399
E103401	Cotter Pin	103401
E103422	Cotter Pin	103422
E103426	Cotter Pin	103426
E108563	Cotter Pin	108563
E108564	Cotter Pin	108564
E108659	Cotter Pin	108659
E108660	Cotter Pin	108660
E119198	Cotter Pin	119198
E119202	Cotter Pin	119202
E179097	Cotter Pin	179097
E179098	Cotter Pin	179098
E217669	Cotter Pin	217669
E217971	Cotter Pin	217971
E436042	Cotter Pin	436042
E8078677	Cotter Pin	8078677
E9434036	Cotter Pin	9434036

**HARDWARE FOR EMD-STYLE LOCOMOTIVES**

**Nuts, Bolts, Cotter Pins, etc.**

PowerRail P/N	Description	OEM Reference
E8403066	Element	8403066
E8403065	Filter	8403065
E8132798	Lock Nut	8132798
E102635	Nut	102635
E102637	Nut	102637
E216452	Nut	216452
E218493	Nut	218493
E218497	Nut	218497
E218504	Nut	218504
E218505	Nut	218505
E218506	Nut	218506
E220082	Nut	220082
E272080	Nut	272080
E272081	Nut	272081
E272083	Nut	272083
E427636	Nut	427636
E427642	Nut	427642
E427648	Nut	427648
E451349	Nut	451349
E451355	Nut	451355
E8032715	Nut	8032715
E8032716	Nut	8032716
E8032717	Nut	8032717
E8032718	Nut	8032718
E8032719	Nut	8032719
E8032720	Nut	8032720
E8032721	Nut	8032721
E8032722	Nut	8032722
E8032724	Nut	8032724
E8032743	Nut	8032743
E8032744	Nut	8032744
E8032745	Nut	8032745
E8032747	Nut	8032747

PowerRail P/N	Description	OEM Reference
E8032748	Nut	8032748
E8032749	Nut	8032749
E8032750	Nut	8032750
E8032751	Nut	8032751
E8032752	Nut	8032752
E8032754	Nut	8032754
E8032760	Nut	8032760
E8032761	Nut	8032761
E8035130	Nut	8035130
E8035139	Nut	8035139
E8035145	Nut	8035145
E8209013	Nut	8209013
E8213064	Nut	8213064
E8236186	Nut	8236186
E8319260	Nut	8319260
E8319265	Nut	8319265
E8338378	Nut	8338378
E8408684	Nut	8408684
E9094038	Nut	9094038
E9335003	Nut	9335003
E9335007	Nut	9335007
E9335108	Nut	9335108
E9335116	Nut	9335116
E9335119	Nut	9335119
E9335122	Nut	9335122
E9335125	Nut	9335125
E9416513	Nut	9416513
E9416515	Nut	9416515
E9416516	Nut	9416516
E9416517	Nut	9416517
E9416519	Nut	9416519
E9416520	Nut	9416520
E9416522	Nut	9416522
E9416523	Nut	9416523

**HARDWARE FOR EMD-STYLE LOCOMOTIVES (CONTINUED)**

**Nuts, Bolts, Cotter Pins, etc.**

PowerRail P/N	Description	OEM Reference
E9416524	Nut	9416524
E9416526	Nut	9416526
E9526537	Nut	9526537
E9569394	Nut	9569394
E8048884	Nut	8048884
E455106	Pin	455106
E457008	Pin	457008
E8034167	Pin	8034167
E8403012	Ring	8403012
E9558113	Ring	9558113
E9335605	Rivet	9335605
E8403015	Seal	8403015
E9524231	Seal	9524231
E8057523	Seal	8057523
E40033892	Spacer	40033892
E8044699	Spacer	8044699
E8090854	Spacer	8090854
E8242352	Spacer	8242352
E8306276	Spacer	8306276
E8421079	Spacer	8421079
E8436376	Spacer	8436376
E273921	Spring Pin	273921
E103319	Washer	103319
E103320	Washer	103320
E103321	Washer	103321
E103323	Washer	103323
E103325	Washer	103325
E103326	Washer	103326
E103327	Washer	103327
E103336	Washer	103336
E103341	Washer	103341

PowerRail P/N	Description	OEM Reference
E103343	Washer	103343
E103345	Washer	103345
E103346	Washer	103346
E103348	Washer	103348
E106263	Washer	106263
E106267	Washer	106267
E106268	Washer	106268
E106269	Washer	106269
E106270	Washer	106270
E112723	Washer	112723
E117613	Washer	117613
E118027	Washer	118027
E121326	Washer	121326
E8067639	Washer	8067639
E8067698	Washer	8067698
E8099550	Washer	8099550
E8107079	Washer	8107079
E8133334	Washer	8133334
E8133335	Washer	8133335
E8134750	Washer	8134750
E8140912	Washer	8140912
E8160907	Washer	8160907
E8174659	Washer	8174659
E8176045	Washer	8176045
E8233437	Washer	8233437
E8249824	Washer	8249824
E8354685	Washer	8354685
E8356561	Washer	8356561
E8434894	Washer	8434894
E8496012	Washer	8496012
E90E96775	Washer	9096775
E9522508	Washer	9522508
E9532904	Washer	9532904
E40020566	Washer	16185980
E40027673	Washer	40027673

**GE STYLE TRUCKS:  
 Various GE Locomotives  
 - Hyatt & Steerable**

PowerRail P/N	Description	Application	OEM Reference
G84D705031P3	Adapter, Snubber Mount	GE ES44DC	84D705031P3
G41D723317P7	Axle Alternator Adapter	GE 2 Axle "B" Trucks	41D723317P7
G41D723317P6	Axle Box Cover, 3" o.d.	GE 2 Axle "B" Trucks, Dash 7 & Dash 8	41D723317P6
G84B516150ABP1	Backing Plate	GE 3 Axle	84B516150ABP1
G41B538322P2	Bracket	GE, AC Traction Motor	41B538322P2
G84C613078ABP2	Retaining Block	GE ES44DC	84C613078ABP2
G84B512433G1	Bracket	Various GE Locomotives	84B512433G1
G84C612936ABP1	Bracket, Handbrake Chain Mounting	Various GE Locomotives	84C612936ABP1
G84C614563G2	Bracket, Snubber	GE ES44DC	84C614563G2
G84C621848P1	Bracket, Yaw Damper	Various GE Locomotives	84C621848P1
G3X8809	Brake Cylinder Flange	Various GE Locomotives	3X8809
G41A205210P2	Brake Cyliner Hose	GE 2 Axle "B" Trucks, Dash 8	41A205210P2
G41C611443G1	Brake Head, steel bushings	GE 2 and 3 Axle Trucks	41C611443G1
G41C611443G1PB	With thermoplastic bushings		
PRD16187012	Canted version		
PRD16187012PB	Canted version with thermoplastic bushings		
G41A210602P2	Brake Shoe Key	Various GE Locomotives, 13" key	41A210602P2
PRD16186626	Brake Shoe Key	Various GE Locomotives, "Universal" for EMD & GE brake heads, 13"	16186626
G84C611643P1	Bumper, Lateral	Various GE Locomotives	84C611643P1
G84B105520P1	Bushing, Center Pivot	Various GE Locomotives	84B105520P1
G41B531222G6	Cable, Grounding	Various GE Locomotives	41B531222G6
G41C629424G1	Center Bowl Liner	Various GE Locomotives, 2 piece bowl, 2 Axle "B" Trucks	41C629424G1
G41C629423G1	Center Bowl Liner	Various GE Locomotives, 2 piece bowl, 3 Axle "C" Trucks	41C629423G1
G41A316489P4	Chain	Various GE Locomotives	41A316489P4
G84A201747G1	Chain Assembly	Various GE Locomotives	84A201747G1
G84B104616P1	Clamp Bar	Various GE Locomotives	84B104616P1
G709808P2	Clamp, Conduit - 0.75"	Various GE Locomotives	709808P2
G499A910AAP3	Clamp, Hose	Various GE Locomotives	499A910AAP3
G84A207915P1	Clamp, Traction Motor Speed Probe	Various GE Locomotives	84A207915P1
G41B515875ABP2	Cleat	Various GE Locomotives	41B515875ABP2
G84B107363P1	Cleat	Various GE Locomotives	84B107363P1
G41B538319P1	Cleat, Cable	Various GE Locomotives	41B538319P1



**GE STYLE TRUCKS:**  
**Various GE Locomotives**  
**- Hyatt & Steerable**

PowerRail P/N	Description	Application	OEM Reference
G41D723316P7	Cover Plate	Various GE Locomotives	41D723316P7
G84A203222P1	Damper	Various GE Locomotives, 6 Axle	84A203222P1
G84A203358P1	Damper	Various GE Locomotives, 6 Axle	84A203358P1
G84C611646P1	Damper	Various GE Locomotives, 6 Axle	84C611646P1
G84C612477P1	Damper	Various GE Locomotives, 6 Axle	84C612477P1
G41A319100P1	GE Primary Damper	Various GE Locomotives, 6 Axle	41A319100P1
G84B530760G1	Journal Bearing	Various GE Locomotives	84B530760G1
G84B105524ABG1	Lever, Brake	GE 3 Axle	84B105524ABG1
G84B105524ABG1PB	With thermoplastic bushings		
G84B105525G2	Lever, Brake	GE 3 Axle	84B105525G2
G84B105525G2PB	With thermoplastic bushings		
G84B105527ABG1	Lever, Brake	GE 3 Axle	84B105527ABG1
G84B105527ABG1PB	With thermoplastic bushings		
G84B105527ABG2	Lever, Brake	ES44DC	84B105527ABG2
G84B105527ABG2PB	With thermoplastic bushings		
G84B105527ABG3	Lever, Brake	GE 3 Axle	84B105527ABG3
G84B105527ABG3PB	With thermoplastic bushings		
G84B105527ABG4	Lever, Brake	GE 3 Axle	84B105527ABG4
G84B105527ABG4PB	With thermoplastic bushings		
G84C618863ABG1	Lever, Brake	GE 3 Axle	84C618863ABG1
G84C618863ABG1PB	With thermoplastic bushings		
G84C618864ABG1	Lever, Brake	GE 3 Axle	84C618864ABG1
G84C618864ABG1PB	With thermoplastic bushings		
G84B105528ABG1	Lever, Brake	GE 3 Axle	84B105528ABG1
G84B105528ABG1PB	With thermoplastic bushings		
G84B105528ABG2	Lever, Brake	GE 3 Axle	84B105528ABG2
G84B105528ABG2PB	With thermoplastic bushings		
G8868241AAP16	Lug	Various GE locomotives	8868241AAP16
G41B515914P1	Motor Mount	GE 2 Axle "B" & 3 Axle "C", Dash 7, Dash 8	41B515914P1
G41C625615ABP1	Nozzle, Sand	Various GE Locomotives	41C625615ABP1
G41C625615P1	Nozzle, Sand	Various GE Locomotives	41C625615P1
G84C615855ABP1	Nozzle, Sand	Various GE Locomotives	84C615855ABP1
G84A201199AFP1	Nozzle, Snowblaster	Various GE Locomotives	84A201199AFP1
G84B516547P1	Nozzle, Snowblaster	Various GE Locomotives	84B516547P1

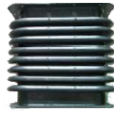
**GE STYLE TRUCKS:  
 Various GE Locomotives  
 - Hyatt & Steerable**

PowerRail P/N	Description	Application	OEM Reference
G84A213491P1	Pedestal Liner	Various GE Locomotives	84A213491P1
G41A318474P11	Pin	Various GE Locomotives	41A318474P11
G41A318474P3	Pin	Various GE Locomotives	41A318474P3
G4768526P11	Pin	Various GE Locomotives	4768526P11
G84A200122P1	Pin	Various GE Locomotives	84A200122P1
G84A200302P1	Pin	Various GE Locomotives	84A200302P1
G84B109034P1	Pin	Various GE Locomotives	84B109034P1
G8861284P5	Pin	Various GE Locomotives	8861284P5
GFMI-12-1522-00	Pin Assembly GE FMI	Various GE Locomotives	FMI-12-1522-00
W565030	Pin, Brake	Various GE Locomotives	565030
G84A200087P1	Pin, Slack Adjuster	Various GE Locomotives	84A200087P1
G84A204127P1	Pipe plug	Various GE Locomotives	84A204127P1
G41A210820P4	Plate	Various GE Locomotives	41A210820P4
G84B519717G1	Plate, Mounting	Various GE Locomotives	84B519717G1
G84B512894P2	Plate, Retaining	Various GE Locomotives	84B512894P2
G41A316977P5	Quick Links	Various GE Locomotives	41A316977P5
G84B105721P1	Retainer, Center Cast	Various GE Locomotives	84B105721P1
G84A200125P1	Retainer, Traction Pad	Various GE Locomotives	84A200125P1
G84A207936P4	Sensor, Speed	Various GE Locomotives	84A207936P4
G84A213890P1	Shear Pad	Various GE Locomotives	84A213890P1
G84A203738P1	Sidebearer	GE 3 Axle	84A203738P1
G84C611702ABG1	Slack Adjuster	Various GE Locomotives	84C611702ABG1
G84C611702G1	Slack Adjuster	Various GE Locomotives	84C611702G1
G84C611702G4	Slack Adjuster	GE 3 Axle	84C611702G4
G41E912394G1	Slack Adjuster	GE 2 Axle Truck, Offset Jaw	41E912394G1
G41B547283G1	Slack Adjuster	GE 3 Axle	41B547283G1
G41C619252G1	Slack Adjuster	GE 2 Axle "B" Dash 7 Truck (can substitute 9570496)	41C619252G1
G41C612181G1	Slack Adjuster	Universal for 2 Axle GP & GE "B" Trucks (can substitute 9570496)	41C612181G1
G41B519443P4	Sleeve	Various GE Locomotives	41B519443P4
G41A218202P3	Sleeve, Insulating	Various GE Locomotives	41A218202P3
G84B511102P1	Spacer	Various GE Locomotives	84B511102P1
G41A317993P1	Spacer, Cable	Various GE Locomotives	41A317993P1
G84B106377P1	Spacer, Cable	Various GE Locomotives	84B106377P1

**GE STYLE TRUCKS:**  
 Various GE Locomotives  
 - Hyatt & Steerable

PowerRail P/N	Description	Application	OEM Reference
G84B106920P1	Spacer, Cable	Various GE Locomotives	84B106920P1
G84B516150P2	Spacer, Plate	Various GE Locomotives	84B516150P2
G84B105529P1	Spring Pad	Various GE Locomotives	84B105529P1
G495A964P1	Spring, Handbrake	Various GE Locomotives	495A964P1
G84A234891G1	Strap, Ground	Various GE Locomotives	84A234891G1
G41A315845P3	Stud, Brake Cylinder	Various GE Locomotives	41A315845P3
G41C624896P4	Support Motor Nose	ES44DC	16185084, 41C624896P1, 41C624896P4
G84B107254P1	Support, Cable	Various GE Locomotives	84B107254P1
G84D702574ABG1	Support, Sand	Various GE Locomotives	84D702574ABG1
G84D702574ABG2	Support, Sand	Various GE Locomotives	84D702574ABG2
G84D702575ABG1	Support, Sand	Various GE Locomotives	84D702575ABG1
G84D702575ABG2	Support, Sand	Various GE Locomotives	84D702575ABG2
G41A282017G1	Tap Block .38-16	Various GE Locomotives	41A282017G1
G41A282018G10	Tap Block, Pipe Support	Various GE Locomotives	41A282018G10
G84A203740P1	Traction Pad	Various 3 Axle GE locomotives	84A203740P1
G84B516598G1	Tube Assembly	Various GE Locomotives	84B516598G1
G41A314853P4	Tube, Heat Shrink	Various GE Locomotives	41A314853P4
G41A206534P3	Wear Plate	Various GE Locomotives	41A206534P3
G41A240012P1	Wear Plate	Various GE Locomotives	41A240012P1

**GE-STYLE TRACTION MOTOR AIR DUCTS AND ASSEMBLIES**

PowerRail P/N	Description	OEM Reference
G41B500680P1	Traction Motor Air Duct	41B500680P1
G41B513246G2	Traction Motor Air Duct	41B513246G2
G41C611494P1	Traction Motor Air Duct	41C611494G1, 41C611494P1
G41D711633P1	Traction Motor Air Duct Boot	16186572P1, 41D711633P1, 41D711633ABP1, 84A229744P1
G84A229744P1	Traction Motor Air Duct Boot 	16186572P1, 41D711633P1, 41D711633ABP1, 84A229744P1
G41C614382P1	Traction Motor Air Duct Boot	41C614382P1
G84C612531P1	Traction Motor Air Duct Boot	84C612531P1
G84A210613P8	Traction Motor Air Duct Cover	84A210613P8
G84A210613P9	Traction Motor Air Duct Cover	84A210613P9
G339B783P1	Traction Motor Air Duct Flexible	339B783P1
G41A202118P1	Traction Motor Air Duct Flexible	41A202118P1
G84D702645G5	Traction Motor Air Duct Assembly	84D702645G5
G41C612804G5	Traction Motor Air Duct Kit	41C612804G5

**HARDWARE FOR GE-STYLE LOCOMOTIVES**

**Nuts, Bolts, Cotter Pins, etc.**

PowerRail P/N	Description	OEM Reference
G41A215037P3	Bolt	41A215037P3
GN14P35096B13	Bolt	N14P35096B13
G84B107549P1	Bolt	84B107549P1
G41A212168P2	Bolt	41A212168P2
G41A212446G3	Bolt	41A212446G3
G41A212446G4	Bolt	41A212446G4
G41A216343P3	Bolt	41A216343P3
G41B520026P1	Bolt	41B520026P1
G489A419P7	Bolt	489A419P7
G495A611P1	Bolt	495A611P1
G495A611P2	Bolt	495A611P2
G495A611P3	Bolt	495A611P3
G495A737P1	Bolt	495A737P1
G495A737P2	Bolt	495A737P2
G495A737P3	Bolt	495A737P3

PowerRail P/N	Description	OEM Reference
G495A737P4	Bolt	495A737P4
G495A737P5	Bolt	495A737P5
G495A737P6	Bolt	495A737P6
G495A737P7	Bolt	495A737P7
G495A737P8	Bolt	495A737P8
G495A737P9	Bolt	495A737P9
G495A737P10	Bolt	495A737P10
G497A725P1	Bolt	497A725P1
G497A725P2	Bolt	497A725P2
G497A725P3	Bolt	497A725P3
G497A725P4	Bolt	497A725P4
G497A725P5	Bolt	497A725P5
G497A725P6	Bolt	497A725P6
G497A725P7	Bolt	497A725P7
G497A725P8	Bolt	497A725P8
G497A725P9	Bolt	497A725P9



**HARDWARE FOR GE-STYLE LOCOMOTIVES (CONTINUED)**

**Nuts, Bolts, Cotter Pins, etc.**

PowerRail P/N	Description	OEM Reference
G497A725P10	Bolt	497A725P10
G497A725P11	Bolt	497A725P11
G497A725P12	Bolt	497A725P12
G497A725P13	Bolt	497A725P13
G497A725P14	Bolt	497A725P14
G499A192P5	Bolt	499A192P5
G8805498P1	Bolt	8805498P1
G8819178P1	Bolt	8819178P1
GN14BP29036	Bolt	N14BP29036
GN22P25022B13	Bolt	N22P25022B13
GN22P21008	Bolt	N22P21008
GN22P25014B13	Bolt	N22P25014B13
GN22P25022B13	Bolt	N22P25022B13
GN22P25024B13	Bolt	N22P25024B13
GN22P25028	Bolt	N22P25028
GN22P25028B13	Bolt	N22P25028B13
GN22P29018	Bolt	N22P29018
GN22P29018B13	Bolt	N22P29018B13
GN22P29020	Bolt	N22P29020
GN22P29028B	Bolt	N22P29028B
GN22P29028B13	Bolt	N22P29028B13
GN22P29036B	Bolt	N22P29036B
GN22P29040B13	Bolt	N22P29040B13
GN22P29044B	Bolt	N22P29044B
GN22P29056	Bolt	N22P29056
GN22P29060	Bolt	N22P29060
GN22P29068B	Bolt	N22P29068B
GN22P29076B13	Bolt	N22P29076B13
GN22P29100B13	Bolt	N22P29100B13
GN22P33020	Bolt	N22P33020
GN22P33024B13	Bolt	N22P33024B13
GN22P33048B13	Bolt	N22P33048B13
GN22P35048B13	Bolt	N22P35048B13
GN22P35064B13	Bolt	N22P35064B13
GN22P35076B13	Bolt	N22P35076B13

PowerRail P/N	Description	OEM Reference
GN22P35152B13	Bolt	N22P35152B13
GN62P29036	Bolt	N62P29036
GN733P21052	Bolt	N733P21052
GN733P33020	Bolt	N733P33020
G121X1186	Bolt	121X1186
G115X2530-1	Bolt	115X2530-1
G84B108973P1	Bracket	84B108973P1
G84C611807G1	Bracket	84C611807G1
G84C614563G1	Bracket	84C614563G1
GN503P1216	Cotter Pin	N503P1216
GN503P1744B13	Cotter Pin	N503P1744B13
GN503P2240B13	Cotter Pin	N503P2240B13
GN507P5024	Dowel Pin	N507P5024
GN507P7524	Dowel Pin	N507P7524
G41A316532P1	Lockwasher	41A316532P1
GN405P17	Lockwasher	N405P17
GN405P40	Lockwasher	N405P40
GN405P43B13	Lockwasher	N405P43B13
G115X2580	Lock Nut	115X2580
G115X2154	Nut	115X2154
G124X1025	Nut	124X1025
G41A211200P4	Nut	G41A211200P4
G41A211200P5	Nut	41A211200P5
G41A211200P6	Nut	41A211200P6
G41A211200P8	Nut	41A211200P8
G499A906AAP7	Nut	499A906AAP7
G499A906ABP4	Nut	499A906ABP4
G499A906ABP6	Nut	499A906ABP6
G499A906ABP8	Nut	499A906ABP8
G84A200307P1	Nut	84A200307P1
GN203P29	Nut	N203P29
GN203P29B13	Nut	N203P29B13
GN216AP39	Nut	N216AP39

**HARDWARE FOR GE-STYLE LOCOMOTIVES (CONTINUED)**  
 Nuts, Bolts, Cotter Pins, etc.

PowerRail P/N	Description	OEM Reference
GN216AP39B13	Nut	N216AP39B13
GN203P29013	Nut	N203P29013
GN258P29	Nut	N258P29
G41B560008P23	Nut (Replaces #499A906AAP7)	41B560008P23
G41A260076P5	Nut (Replaces #499A906ABP4)	41A260076P5
GN214DP42	Nut (Replaces #84B107549P2)	N214DP42
G84A200725G1	Nut Plate	84A200725G1
G124X1015-3	Umbrella Nut	124X1015-3
G115X2025-1	Screw	115X2025-1
G115X2439	Screw	115X2439
G115X2069	Washer	115X2069
G121X1187	Washer	121X1187
G121X1191-1	Washer	121X1191-1
G41A210496P8	Washer	41A210496P8
G41A317G413P1	Washer	41A317413P1
G41A317989P1	Washer	41A317989P1
G41B537660P1	Washer	41B537660P1
G41B537660P6	Washer	41B537660P6
G41B537660P11	Washer	41B537660P11
G41B537660P14	Washer	41B537660P14
G41B537660P22	Washer	41B537660P22
G497A738P10	Washer	497A738P10
GN402AP15B13	Washer	N402AP15B13
GN402AP20	Washer	N402AP20
GN402AP45	Washer	N402AP45
GN402AP45B13	Washer	N402AP45B13
GN402AP48	Washer	N402AP48

PowerRail P/N	Description	OEM Reference
GN402AP48B13	Washer	N402AP48B13
GN402AP50B13	Washer	N402AP50B13
GN402P13	Washer	N402P13
GN402P45B	Washer	N402P45B
GN402P48	Washer	N402P48
GN402P49	Washer	N402P49
GN402AP49B13	Washer	N402AP49B13
GN402P53	Washer	N402P53
GN405P113	Washer	N405P113
GN405P35B13	Washer	N405P35B13
GN405P43P	Washer	N405P43P
GN405P45	Washer	N405P45
GN405P45B13	Washer	N405P45B13
GN405P45P	Washer	N405P45P
GN405P48	Washer	N405P48
GN405P53	Washer	N405P53
GN405P71	Washer	N405P71
GN405P75	Washer	N405P75
GN417P18B13	Washer	N417P18B13
G41B537014P1	Washer Asm.	41B537014P1

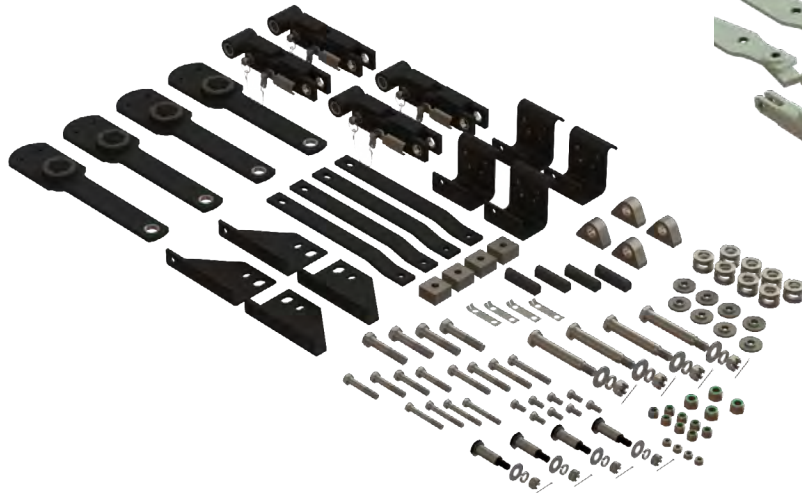
**TRUCK KITS**

PowerRail offers custom Truck Kits, made in the USA to customer specifications. Available parts include high/ low profile elliptic springs, bushings, pins, levers, hangers, and more. All Truck Kits are available with thermoplastic or steel bushings. Some examples include, but are not limited to:

PowerRail P/N	Description	Application	OEM Reference
PRD16185821	Truck Kit	GP Clasp, Basic	16185821
PRD16184195	Truck Conversion Kit	GP Blomberg, Clasp to Single Shoe Conversion Kit	16184195
PRD16187088	Truck Overhaul Kit	EMD Switcher, Flexible Truck	16187088
PRD16186640	Truck Overhaul Kit	GP Blomberg Single Shoe, Converted from Clasp	16186640
PRD16186666	Truck Kit	Universal, AAR Rigid Switcher	16186666
PRD16186679	Truck Overhaul Kit	SD Flexicoil, Single Shoe	16186679
PRD16186792	Truck Kit, Pins & Bushings	EMD Switcher, Flexible Truck	16186792
PRD16186796	Truck Overhaul Kit	SD HTC, Single Shoe, GG Bearings w/ Oil Filled Gear Cases	16186796
PRD16186797	Truck Overhaul Kit	SD HTC, Single Shoe, GG Bearings w/ Grease Filled Gear Cases	16186797
PRD16186802	Truck Overhaul Kit	GP Blomberg, Clasp Brakes	16186802
PRD16186826	Truck Overhaul Kit	GP OEM SS (GP50), Converted from clasp with brake head stabilization and low profile elliptic springs	16186826
PRD16186827	Truck Kit	GP Blomberg, Clasp to Single Shoe Overhaul & Conversion Kit	16186827
PRD16186924PB	Truck Kit	GP Blomberg, Clasp to Single Shoe Conversion and Overhaul Kit with Thermoplastic Bushings and light duty springs	16186924
PRD16187166	Truck Overhaul Kit	SD HTC, Single Shoe	16187166
PRD16187438	Truck Kit	SD HTC, Single Shoe	16187438
PRD16186776	Truck Kit	GE 3 Axle, Basic	16186776
PRD16186777	Truck Overhaul Kit	GE 3 Axle, Overhaul	16186777

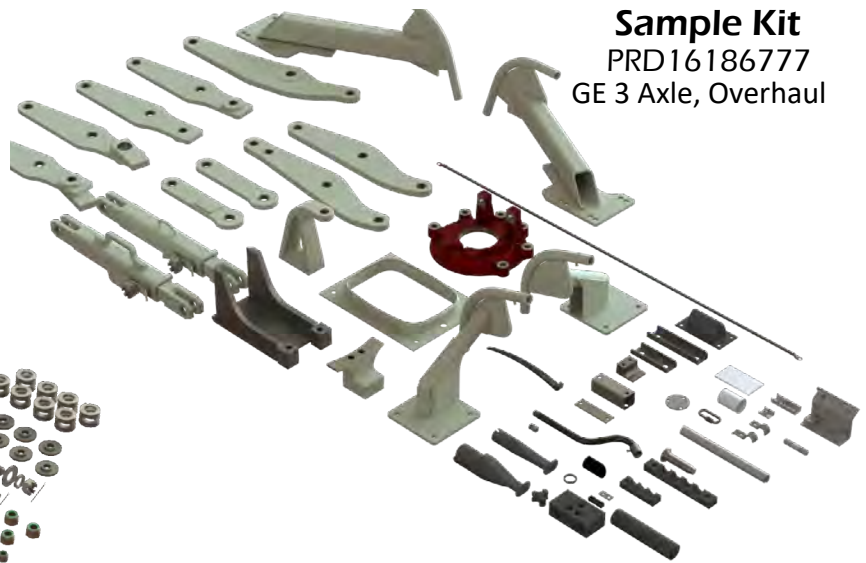
**Sample Kit**

PRD16184195  
 GP Blomberg, Clasp to Single Shoe Conversion Kit



**Sample Kit**

PRD16186777  
 GE 3 Axle, Overhaul



**TRUCK RELATED PARTS**

PowerRail also offers truck-related parts and components, such as Journal Boxes, both Hyatt and GG; Traction Motors; Wheel Sets and Combos; Gear Cases and more.

**Journal Boxes - Hyatt & GG**

Complete Line of AAR Quality new and remanufactured Hyatt and GG Journal Boxes, and Conversion Boxes for EMD and GE locomotives. In addition, we offer Unit Exchange and Return & Repair programs, including conversion from Hyatt to GG.



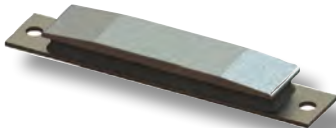
Hyatt W/3N1 Liner



All Hyatt Boxes are Modified with the 3N1 Liner Standard



Hyatt & Conversion Box Lateral Pad  
 E9539431 & PRD16184305



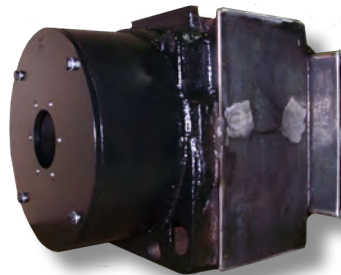
E9539431 Lateral Pad

E9539431 Lateral Pad for all Hyatt and Generic Conversion Boxes for Locomotive axle.  
 PRD16184305 Manufactured 1/8" lower to ease installation due to restraints and tight fits.

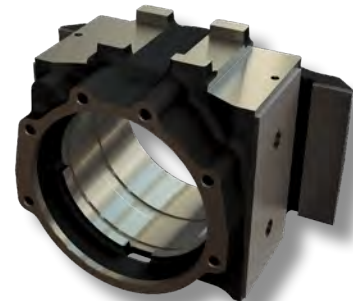
**\*Full Line of Modified Boxes\***



GG Box



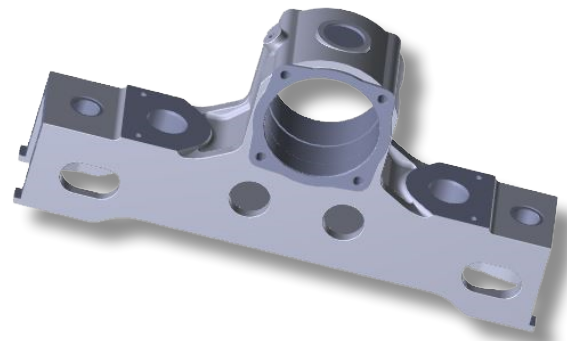
Hyatt Converted to GG Standard



G41D727667G5WP  
 GE GG-Style Journal Box Adapter



PRD16185637 Light Rail Vehicle Journal Box



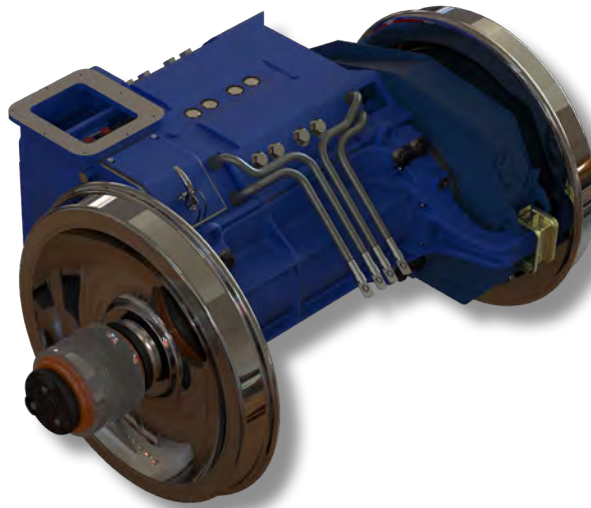


**TRUCK RELATED PARTS**

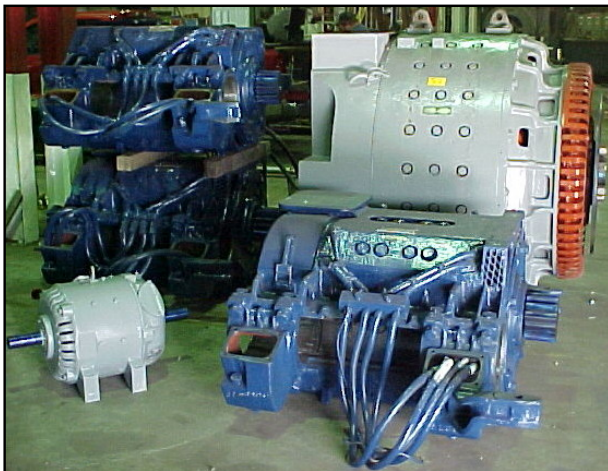
PowerRail also offers truck-related parts and components, such as Journal Boxes, both Hyatt and GG; Traction Motors; Wheel Sets and Combos; Gear Cases and more.

**Wheelsets, Combos, and Traction Motors**

Complete Line of New & Remanufactured Axles, Wheelsets and Traction Motors.  
 In addition, we also offer a full line of Unit Exchange Combos.



**Shortline & Premium Rebuilt  
 Traction Motors and Alternators in  
 Stock for Immediate Delivery**



PowerRail Traction Motors

- New and Remanufactured
- Class 1 Approved
- Internationally Approved
- Regionals & Short Line Approved
- Passenger Transit Approved
- Quality M-1003 Approved Parts
- Quality Workmanship
- Experienced Staff
- Technical Support
- Competitive Price
- Full Line of Support Products

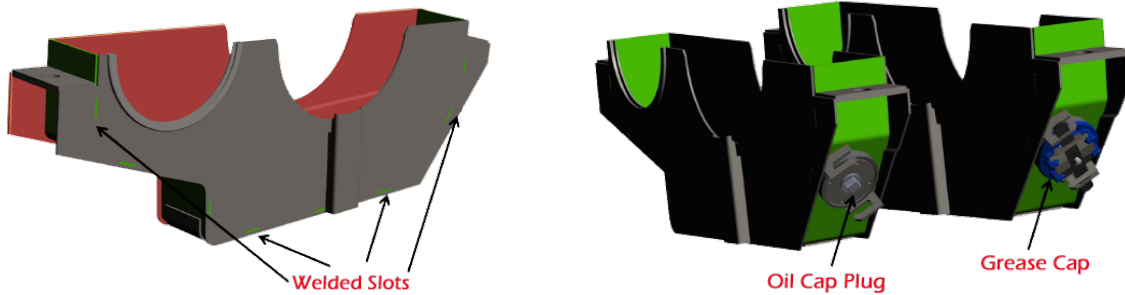
<b>D27/D37/D47</b>	<b>D57/D67</b>	<b>D77/D77B</b>	<b>D78/ D87/ D87B/D87BTR</b>	<b>D29/D31</b>	<b>D90/D100</b>
<b>752E6/E8</b>	<b>752AF/AG</b>	<b>752AH</b>	<b>761A19/A23</b>	<b>764</b>	<b>GEB</b>

## TRUCK RELATED PARTS

PowerRail also offers truck-related parts and components, such as Journal Boxes, both Hyatt and GG; Traction Motors; Wheel Sets and Combos; Gear Cases and more.

### Gear Cases

PowerLok Toughcase® Combination & Standard Oil or Grease Gear Cases



#### Tab and Slot Design:

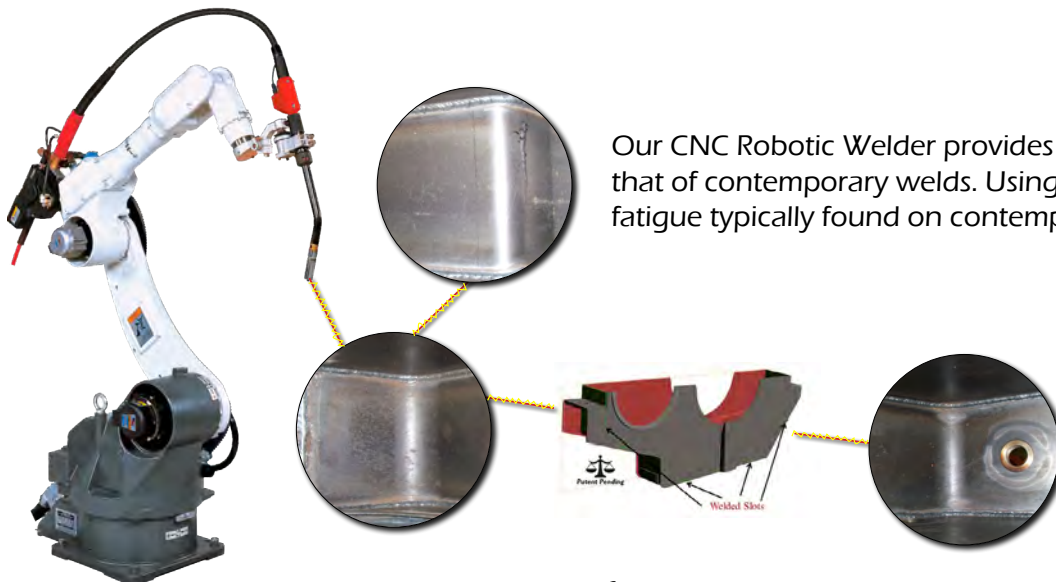
- 100% Alignment For Better Fit and Operation
- Strengthens the Seams for Heavy Impact Resistance
- More Welding Points Improved Integrity and Strength
- CNC Robotic Welder Provides Stronger Welds vs. That of Contemporary Welds
- CNC Robotic Welder Provides Less Heat Which Lowers Fatigue Typically Found on Contemporary Welds
- Patent Design - Mechanical and Electro Mechanical

#### Dual Cap Purpose:

- Cap Drilled and Pinned to Prevent Improper Use

#### Benefits:

- Less Inventory with Combination Oil/Grease Design (Standard Style Also Available)
- Reduction in Hazard Material Spills
- Reduction in Down Time Due to Small Derailments
- Increased Reliability and Service Life



Our CNC Robotic Welder provides stronger welds vs. that of contemporary welds. Using less heat lowers fatigue typically found on contemporary welds.

# TuffRigg™ Brake Rigging

PowerRail proudly introduces the latest technology for extending the life of your brake rigging.



PowerRail's manufactured full line of EMD-style and GE-style **TuffRigg™** brake rigging utilizes thermoplastic bushings as a superior alternative to steel. PowerRail's enhanced design, coupled with our exclusive distribution of A153/S thermoplastic bushings, has years of proven success. These bushings are confirmed to prevent brake head seizures and provide enhanced wear properties that will extend the life of your brake rigging.



E8044912PB



E8388332PB



E40023223PB

E8334026PB

## Benefits of TuffRigg™ Brake Rigging with A153/S Thermoplastic Bushings:

- Reduction in seizures
- Reduction in housing reclamation
- No alignment difficulties when assembling
- Proven reduced maintenance costs
- A153/S bushings are resistant to shock loading and corrosion
- Reduction in wear resulting in increased performance by up to 5x's when compared to steel
- A153/S bushings have a low coefficient of friction, high compressive strength, and consistent wear characteristics
- Applicable for locomotive, passenger, and LRV brake rigging