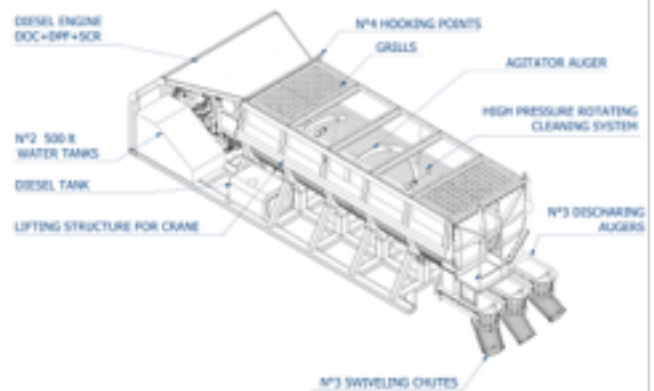


RAIL MOUNTED CONCRETE AGITATOR

MX - SERIES

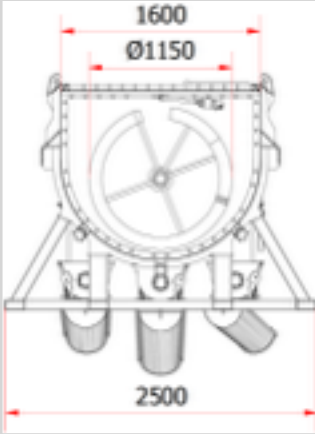


Different points of discharge



Main Features

BODY: Hopper frame in Hardox steel for concrete transport
SCREW: Anti-segregation agitating screw in Hardox steel
DRIVE: Hydraulic system through on board engine
CLEANING: Automatic pressure cleaning system for the hopper



MAIN CHARACTERISTICS

Power	Electric/ Diesel	Concrete capacity	2/ 4 / 6/ 8/ 10 m ³
Engine	from 30 KW to 100 KW	Discharge	3 points of discharge
Agitator	Ø 920/ Ø 1150 auger	Command	Remote control & on board

