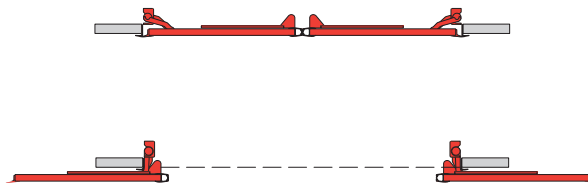
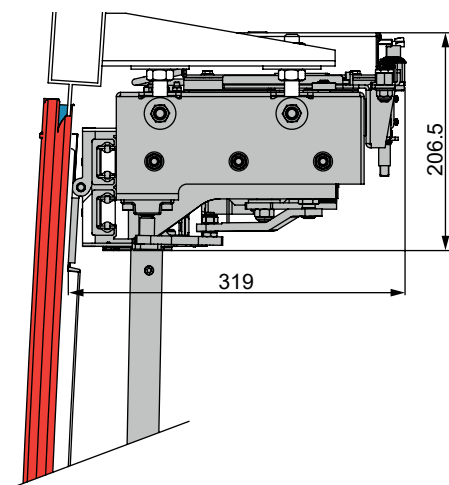


00Gb

SLIDING DOOR FOR REGIONAL TRAIN



DESCRIPTION

- Sliding plug door.
- 24v, 48v and 72v electric system.
- Hidden rubbers system improves esthetics.
- Safety: Dual sensitivity , by means of sensitive electric rubber and by control unit.
- Anti-drag system.
- Manoeuvre time: 2,5 - 4,5 seconds (customizable from control unit)
- Electronic control Masats.
- Double safety locking system.
 - Overcenter
 - Mechanical locking
- Isulation system (door out-of-service)
- Antivandal lower latching pins.
- Sandwich type door panel with structural insulation.

ADVANTAGES

- Simple and robust design.
- Compact mechanism, minimum dimensions.
- Light weight mechanism.
- Easy to install and regulate, there by reducing assembly costs.
- Optium watertightness, acoustically and thermally.
- Robust and reliable guiding system.
- Adjustement between leaves and mechanisms is fixed, there by allowing easy regulation and installation of the system in the 3 dimensions.

TECHNICAL DATA

- Weight: 155Kg for an opening width of 1300mm.
- Outward movement: 80mm.
- Free opening: 1200 to 1500mm.
- Communications: CAN, Ethernet, RS485, USB.
- According to: EN14752 / EN50121/ EN45545/ IEC61373/ VDV111