



84" Outdoor Dual-Sided Digital Sign (one side LCD screen, other side LED poster)



Features: Model: NILDM-840PH

- ✓ 84" weatherproof/outdoor LCD screen on front
- ✓ LED backlit static poster sign inside bus shelter
- ✓ Tamper-proof, anti-reflection, tempered glass
- ✓ Sunlight readable 2500cd high brightness LCD screen
- ✓ Heavy duty custom enclosure

LCD Screen (Front)

Parameter	Specification
Video Orientation	Portrait
Active Screen Dimensions (Width x Height)	1047mm x 1861 mm; (41.2in. x 73.3in.)
Enclosure Dimension (Width x Height x Depth)	1270mm x 2184mm x 297mm; (50.0in. x 86.0in. x 11.7in.)
Resolution	1080 x 1920 pixels
Color	16.7 million colors (8-bit)
Dimming	50-100% automatic dimming
Calibrated Intensity	2500 Cd/m ²
Color Temperature Modes	Warm / Medium / Cool
Refresh Rate	60 Hz
Contrast Ratio	1400:1
Viewing Angle	178 degrees (side/side) 178 degrees (up/down)
Burn Time (one static image)	30 min
Touch Interactivity [Optional upgraded model]	Projected Capacitive (PCAP), Multi-touch Works with bare fingers and gloved fingers High positional accuracy (2.5mm typical) 92% - 100% light transmission through PCAP < 10 ms response time [Touch Panel Manufacturer: Zytronic]

LED Backlit Screen (Top & Back)

Parameter	Specification
LED Screen size (Top)	1163mm x 126.5mm (Dual sides)
LED Poster size	1741mm x 1165 mm x 20.8mm
Enclosure Dimension (Width x Height x Depth)	1270mm x 2184mm x 297mm; (50.0in. x 86.0in. x 11.7in.)
LED Rank	A5 P2 S2
	A5: 3.2 – 3.2 /VF (V)
	P2: 6500/CCT (K)
	S2: 57.3 – 61.3 Lm
LED model	SamSung 2835 Package

Power, Computers & Electronics

Parameter	Specification	
Power Consumption	1300 W (Average); 1500 W (Maximum)	
Embedded computer [Optional upgraded model NIRD-840PC-SHL]	CPU	Intel Core i5 1.8 GHz Dual Core
	RAM	8 GB
	Storage	120 GB
	Dimensions (W x D x H)	150mm x 50mm x 150 mm; (5.9in. x 2.0in. x 5.9in.)
	OS	(Linux) Ubuntu 14.04 Server Ed.
Inputs / Outputs	HDMI DVI (720p/1080i/1080p) Composite Video Input PC Input via 15-pin Sub LAN (RJ45, Cat 6) RS-232C Expandable per request: LTE Modem, Switcher, Wi-Fi Module	
On Screen Display (OSD)	English (default)	
Hardware Maintenance Software	Installed networking module to control hardware	

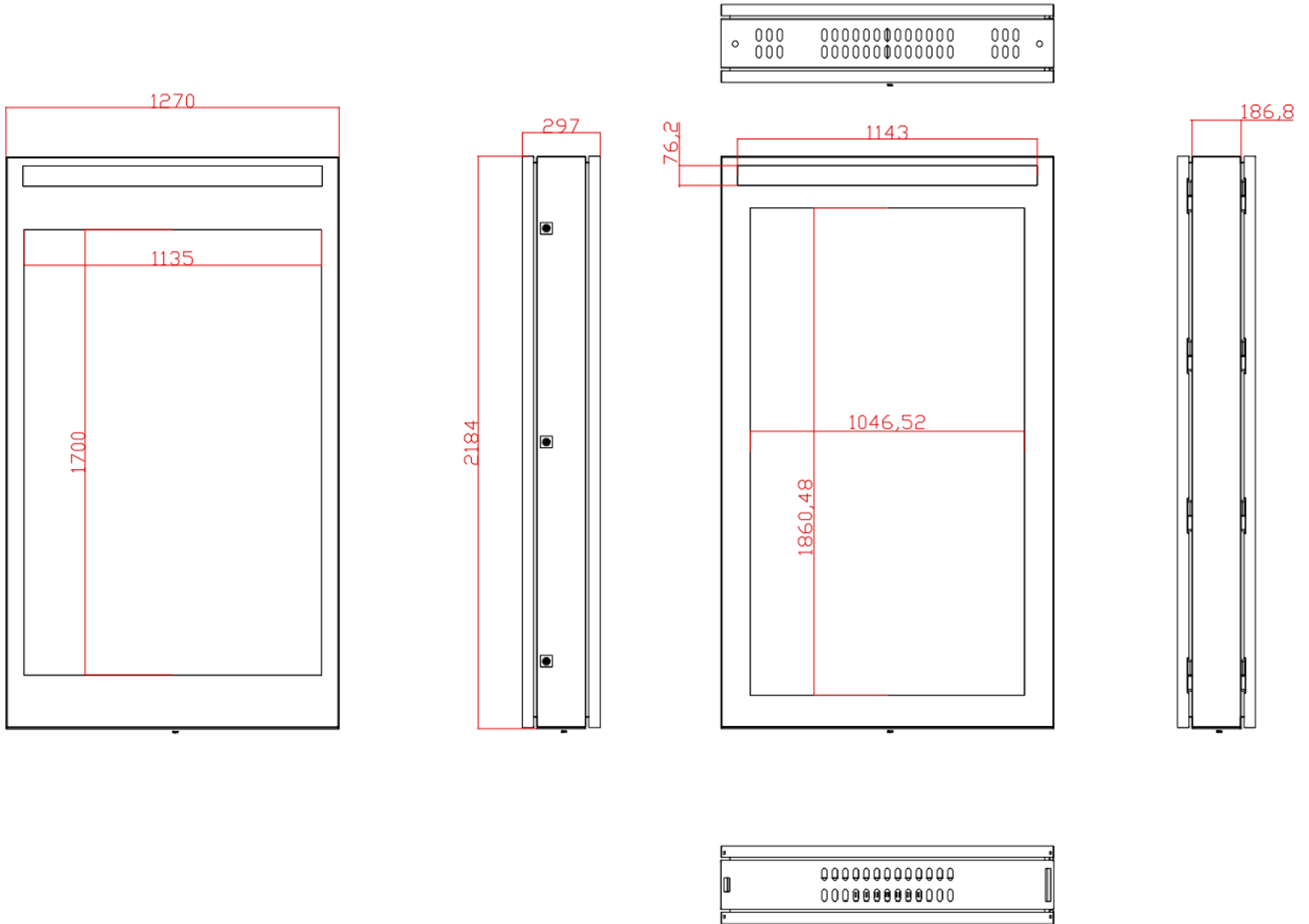
System Level Design & Durability

Parameter	Specification
Rated Operating Conditions	Temperature: -30°C to +45°C Humidity: 20% to 80%
Heating, Ventilation & Air Circulation (HVAC)	Automated system for heating & cooling with active air inflow & exhaust <i>[patent pending]</i>
External Housing	Fully-sealed, weather-proof enclosure Powder coated surface treatment Available finishing materials: Stainless steel, Aluminum, Architectural glass
Glass	Anti-glare, 1% max haze, anti-vandal, tempered glass.
Certification	FCC
Warranty	36 Months
Mean Time Between Failure	30,000 hours
KIOSK Health Maintenance Module (Remote hardware control board) [Model: NRMCB-10]	Safety sensor alarm when KIOSK door is open Remote capabilities: <ul style="list-style-type: none"> - Control internal temperature using fan speed - Adjust screen brightness - Screen power on/off - Computer power on/off - Analog-Digital board on/off - Pixel moving detection sensor when the screen does not move pixel - Alarm Management - Sensor Diagnostic Logs

**Quick installation guide included

Physical Dimensions

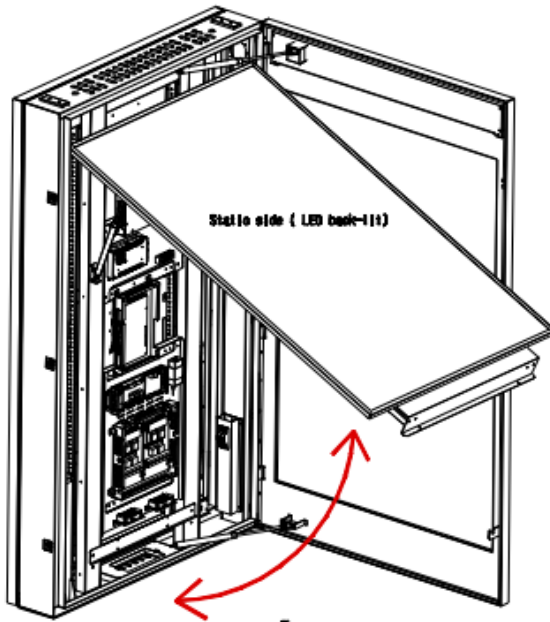
Total System Weight: 280 kg per unit

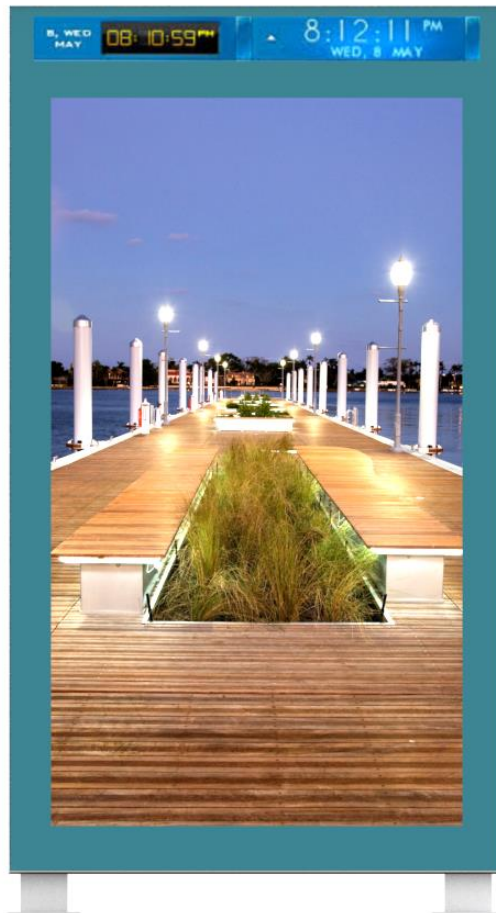


LCD Screen Maintenance Concept



LED Backlit Poster Maintenance Concept





Nanov Display Inc.

info@nanov.info

Tel: +1-877-409-8844, Fax: +1-866-431-7242

1978 NW 82nd Avenue, Miami, FL 33126