

NITE-XK

Unmanaged Industrial Ethernet Switches M12 IP40
Fast Ethernet



Robust, vibration-proof communication in harsh environmental conditions

- ▶ Flexible use with 24 VAC/VDC
- ▶ Ultra-compact, ruggedized design
- ▶ Temperature range -40 to +70°C
- ▶ Polarity protection
- ▶ IP40 metal housing
- ▶ Inrush current limitation
- ▶ DIN EN 50155 rail compliant
- ▶ PROFINET suitable

With minimal housing size and low power consumption, the NITE-XK Industrial Ethernet switches are the perfect link in harsh environments. By shock and vibration-proof M12 connection technology for data and power supply, all applications in harsh industrial environments and in rail and commercial vehicles can be networked. The redundant 24 Volt AC/DC power supply is protected against polarity reversal and works reliably even with undersupply of 9 VDC. The tolerance to voltage dips, a dielectric strength of 2.25 kVDC and the limitation of the inrush enable a stable operation in all operating conditions. With two different frame forwarding/blocking variants (LLDP/PTCP), all applications are optimally supported.

General

Switch: IEEE802.3 Store and Forward; non-blocking wire speed
Auto-Negotiation, Auto-MDI-X, Auto-Polarity: Yes
Frame size: 2,048 Bytes
MAC table size: 2,000 addresses
Quality of Service: Yes – 4 priority queues
Energy Efficient Ethernet: No
Flow Control: No
PROFINET suitable: Yes

Port count (M12)	4	6	8
MTBF (SN 29500, Mio. h)	3,431	2,791	2,353
Frame Forwarding (Art.-No.)	xxxxx0	xxxxx1	
LLDP, PTCP Delay 01:80:C2:00:00:0E	Forwarding	Blocking	
RSTP BPDU 01:80:C2:00:00:00	Forwarding	Forwarding	

Power supply

Nominal voltage: Vin 24 VAC / 24 VDC
Permitted voltage range: 8 to 28 VAC / 18 to 36 VDC
Connection type: Vin M12 A-cod. (+ -) | M4 drilling housing (FE)
Supply circuit: SELV DIN 60950 (circuit breaker 10 A)
Redundant power supply: Yes, two full-bridge circuits
Inrush current limiter: Yes
Input fuse: Yes, Interrupting rating 50 A @ 125 VAC/VDC
Polarity protection: Yes
Power failure bridging: 10 ms DIN 50155
PCB Conformal Coating: Yes
Protection category: III
Isolation: 2.25 kVDC; Vin ↔ Ethernet Ports | Vin ↔ housing

Port count (M12)	4	6	8
Power consumption (W)			
Idle full load	0.4 0.82	0.4 1.0	0.4 1.2
Input current (mA)			
Idle full load	16 34	16 42	16 50
Inrush current (A)	8	8	8

Mechanical properties

Housing material: Nickel-plated aluminium, stainless steel
Mounting: M6 hole for wall mounting, round head screw
IP Protection class (operation): IP40

Port count (M12)	4	6	8
Width (mm)	49	49	49
Height (mm)	93	117	141
Depth (mm)	29.8	29.8	29.8
Weight (g)	160	210	255

Note: We reserve the right to make technical changes to this document without prior notice. TERZ assumes no responsibility or liability for any errors or inaccuracies in this document. All rights to this document and its contents are reserved. Duplication, use of the content or announcement to third parties in any form is not permitted without written permission from TERZ. Copyright © 2018 TERZ Industrial Electronics GmbH. All rights reserved.

Ethernet Interfaces

IEEE Standards: 802.3 10BaseT, 802.3u 100BaseT(X)
Isolation: 2.25 kVDC; Ethernet Port ↔ housing | Port ↔ Port
Connection type: M12 D-coded
Port count | Speed: 4,6,8 Ports | 10/100 Mbit/s
Cable length: 100 m (Twisted Pair, 0.14 mm² - 0.22 mm², Cat 5)

EMC and environmental specifications

Operating temperature: -40°C to +70°C
Storage temperature: -40°C to +85°C
Relative humidity (operation): 0%-95% (not condensing)
Relative humidity (storage): 0%-95% (not condensing)
Atmospheric pressure (operation): 2,000 m (795 hPa)
EMC immunity: DIN EN - 50121-3-2, 61000-6-2, 55024
EMC radiated emission: DIN EN - 50121-3-2, 61000-6-4, 55032
Mechanical stability: DIN EN 61373
Fire protection: DIN EN 45545

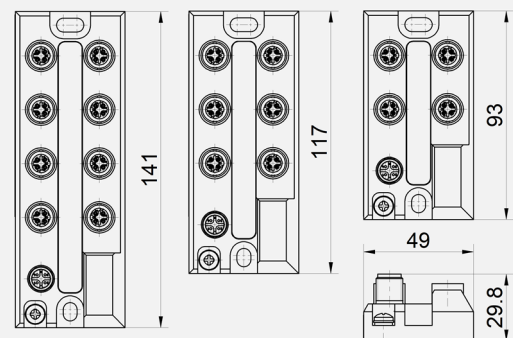
Approvals and certifications

CE, DIN EN 50155, DIN EN 60950-1

Status and diagnostic indicators

LED: Power | Link/Activity per Port

Drawing



Products

Article	Art.-No.	Specification
NITE-XK4-1100	311300	4xM12, FE, 24 V
NITE-XK6-1100	311500	6xM12, FE, 24 V
NITE-XK8-1100	311600	8xM12, FE, 24 V
NITE-XK4-1101	311301	4xM12, FE, 24 V, LLDP Blocking
NITE-XK6-1101	311501	6xM12, FE, 24 V, LLDP Blocking
NITE-XSK-1101	311601	8xM12, FE, 24 V, LLDP Blocking

