



# GT3

## Medium Voltage Switchgear

- Slide-in type switchgear with circuit-breaker and single busbar
- metal enclosure, metal clad ■ air insulated
- up to 24 kV, list 2 ■ up to 3150 A and 40 kA 3 s
- proofed to internal arcing ■ IEC 62271-200
- DIN EN 62271-200 ■ VDE 0671-200 ■ DIN EN 60694



### Slide-in Type Switchgear Type GT3

12- and 24 kV slide-in type switchgear for single- and duplex-mounting.

#### Design

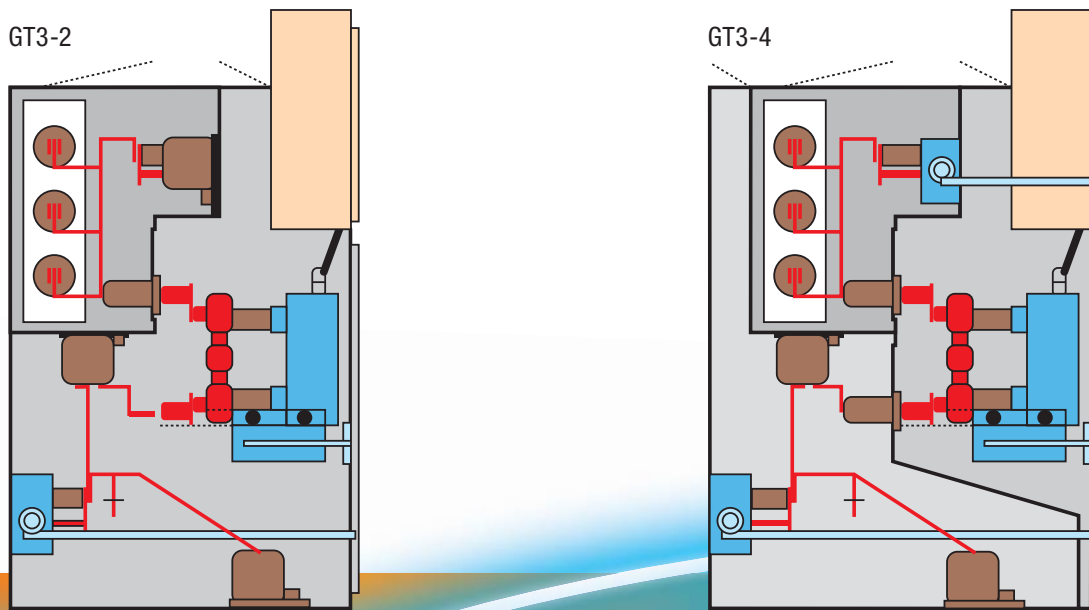
Slide-in type switchgear with circuit-breakers, single busbar, for single and duplex-mounting, metal enclosure, metal clad, air insulated, proofed to internal arcing, with busbar compartmentalization (type GT3-2) and optional compartmentalization for circuit-breaker and cable terminal section (type GT3-4).

### Field of Application

Circuit-breaker switchgear for distribution substations in grid-, industrial- and power supply plants. Applicable for the switching of transformers, motors, generators, capacitors and transmission lines.

#### Cubicle Styles

Load-break switches, circuit-breakers and vacuum contactors in slide-in type design, measuring cubicles in fixed mounted or slide-in type design.



### Rated Technical Data

Voltage	Current Busbar	Current Branch	Peak Current	Shorttime Current	Short Circuit Duration	Arc Resistance
12 kV	up to 4000 A	up to 4000 A	125 kA	up to 50 kA	3 s	1 s
24 kV	up to 2000 A	up to 2000 A	63 kA	25 kA	1 s	1 s

### Dimensions

12 kV	Width 700 / 800 / 1000 mm	Depth 1300 / 1450 / 1650 mm	Height 2200 – 2700 mm
24 kV	Width 1000 mm	Depth 1700 mm	Height 2200 – 2700 mm



Factory for Switchgears  
P.O. box 64 · D-59395 Olfen  
Niekamp 8 · 59399 Olfen  
Phone +49-25 95-3 81-0 · Fax +49-25 95-3 81-233  
olfen@ritter.info

Erfurt, München, Trier, Nootdorp (NL)

[ritter-starkstromtechnik.de](http://ritter-starkstromtechnik.de)