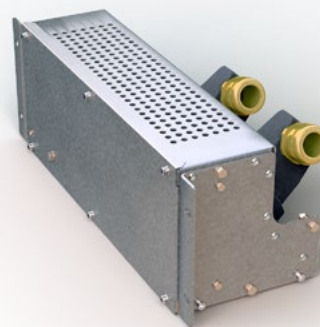
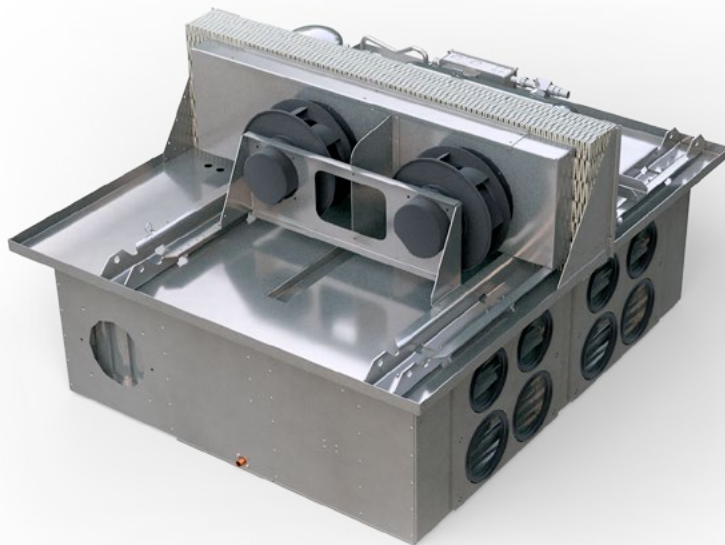


RVKE 126-D

Doubledecker Saloon Unit HVAC

Plug-in air conditioning unit for roof mount on double deck coaches. Especially designed for the requirements of this application it offers proven reliability and performance. By using steplessly variable fans and frequency controlled compressors the unit always runs at the most efficient operating point. The frequency control for the compressor can be done via auxiliary converter of the car or a built in one.



Climate computer Dosto

Technical data

RVKE 126-D Doubledecker Saloon Unit HVAC

Customer Platform	Vossloh Kiepe / Deutsche Bahn BA751.0, 756.0, 761.0, 761.2
City of operation	Hessen, Germany
Cooling capacity	26,0 kW
Heating capacity	30,0 kW
Air Flow	3600 m ³ /h
Length Width Height	1790 mm 1510 mm 985 mm
Weight	515 kg
Power supply	400 V-3-50 Hz 24 V DC
Summer conditions - outside	35 °C
Winter conditions - outside	-20 °C

