



# LED Marker Tail Lamp

Dramatically reduces train maintenance and running costs.



Dual aspect Red/White Marker Tail Lamp

High reliability LEDs

Dramatically reduces train maintenance and running costs

Easily fitted onto an existing bracket or adapted for mounting on any vehicle

Increased safety and reliability

For supply voltages of 110V, 74V & 24V

## Lamp Specification

- Nominal current White aspect 900mA
- Nominal current Red aspect 40mA
- Rated to IP66
- Total weight 2.2kg
- Aluminium cast assembly
- Polycarbonate lens design
- Stainless steel fixings
- Breathing mechanism to reduce condensation
- RoHS compliant



Fitted on the Alstom Lint train

## In accordance with

### UIC 532

Freight wagons and passenger coaches; signal supports; passenger coaches; fixed electrical signals.

### UIC 534

Signals and signal supports of locomotives, motor units and multiple units.

### DIN 6163-4

Colours and colour limits for signal lights; railway signal lights.

### EN 50121-3-2

Railway applications - electromagnetic compatibility rolling stock - apparatus.

### EN 50125-1

Environmental conditions of equipment - equipment on board rolling stock.

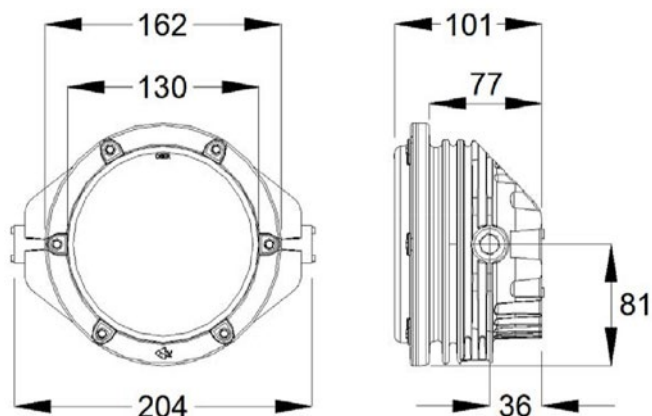
### EN 50153

Railway applications - rolling stock - protective provisions relating to electrical hazards.

### EN 50155

Electronic equipment on rail vehicles.

## General dimensions (mm)



89/336/EEC

## Unipart Dorman

Wennington Road, Southport,  
Merseyside, PR9 7TN, UK

Tel: +44 (0) 1704 518000

Fax: +44 (0) 1704 518001

email: [dorman.enquiries@unipartdorman.com](mailto:dorman.enquiries@unipartdorman.com)

[www.unipartdorman.co.uk](http://www.unipartdorman.co.uk)



Visit [www.uniparttrail.com](http://www.uniparttrail.com) for details  
of our Worldwide Regional Offices