



***ARGUS***

ARGUS – Salisbury

**ALFA WATER BARRIER**

# ARGUS FLUIDHANDLING – ALFA WATER BARRIERS

---

We are based in Salisbury, Wiltshire and are part of the Alfagomma group. We are the sole supplier for the UK and Scandinavia for our water inflated flood defence system “ALFA WATER BARRIER” in co-operation with our Canadian sister company.

The Double Dam & Triple Dam barriers from Argus are water-inflated dams that quickly deploy and are filled with any available source of water and are very friendly where environmental impact is a concern.

They are reusable, provide flexible layout options, do not cause substrate damage, and are suitable for worksite dewatering and flood protection in waters up to 3’ (0.9m) deep (Double Dam) and up to 6’ (1.8m) (Triple Dam) as well as pond segregation and being retaining structures for liquids during drought conditions.

They are ideally suited for **Agricultural / rural flood defence** as well as **commercial / industrial property** and **housing / community** protection.

The “**flood dams**” have been specifically designed to be modular and can be joined together to obtain any length required. The “**double dam**” is easily deployable by a single person and the “**triple dam**” by two people. They sections are totally 100% reusable and fold up effortlessly for minimal storage space requirements.

# DOUBLE DAM

The Double Dam features a single internal stabilizing panel to provide safety and stability for all sizes up to 4' (1.2m) high.

Water-inflated dams are quickly deployed, filled with any available source of water, and are very friendly where environmental impact is a concern.

Double Dams are reusable, repairable, provide flexible layout options, do no substrate damage, and are suitable for worksite dewatering and flood protection in waters up to 3' (0.9m) deep.



PART NO.	LENGTH	WIDTH	FILLED HEIGHT	MAX WORKING	DRY WEIGHT
				WATER DEPTH	
DD2450	50' (15m)	5' (1.5m)	2' (.6m)	1.5' (.46m)	120 lb (55kg)
DD24100	100' (30m)	5' (1.5m)	2' (.6m)	1.5' (.46m)	240 lb (109kg)
DD3650	50' (15m)	7.5' (2.3m)	3' (.9m)	2.25' (.68m)	220 lb (100kg)
DD36100	100' (30m)	7.5' (2.3m)	3' (.9m)	2.25' (.68m)	440 lb (200kg)
DD4850	50' (15m)	10' (3m)	4' (1.2m)	3' (.9m)	280 lb (127kg)
DD48100	100' (30m)	10' (3m)	4' (1.2m)	3' (.9m)	560 lb (255 kg)

# DOUBLE DAM

Our **Water-inflated dams** are quickly deployed, filled with any available source of water, and are very friendly where environmental impact is a concern.

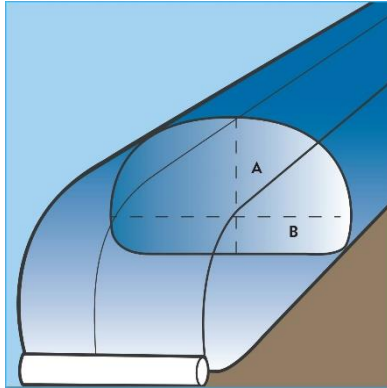
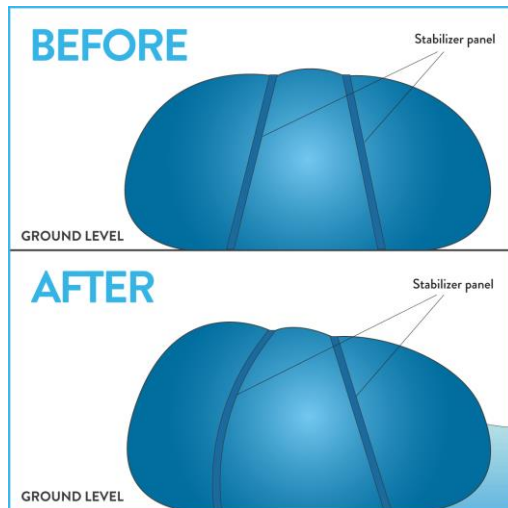
Double Dam is reusable, provides flexible layout options, does not cause substrate damage, and is suitable for worksite dewatering and flood protection in waters up to 3' (0.9m) deep.

Double Dam features a single internal stabilizing panel to provide safety and stability for all sizes up to 4' (1.2m) high.





# DOUBLE DAM

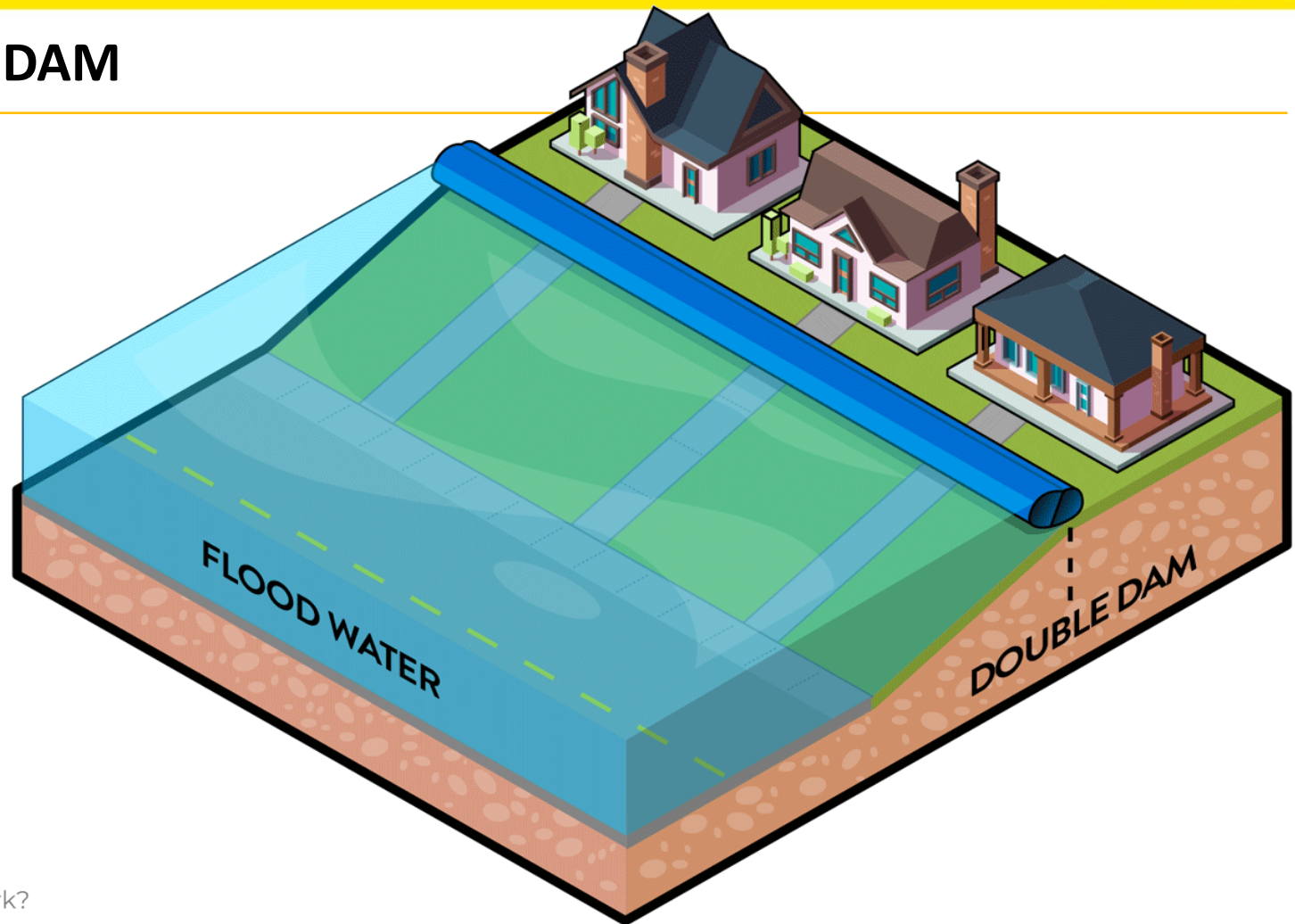


▼ Are they repairable?

- Yes. Minor holes and tears can be easily repaired.



# DOUBLE DAM



## ▼ How do they work?

- Double/Triple Dam use any available water source for filling. When the dam is full, and the water level outside of the dam is up to  $\frac{3}{4}$  of the filled height (25% freeboard) that makes the filled dam heavier than the surrounding water. The integral stabilizing panel(s) force the dam to maintain an oval shape so it cannot roll.



# TRIPLE DAM

PART NO.	LENGTH	WIDTH	FILLED HEIGHT	MAX WORKING	DRY WEIGHT
				WATER DEPTH	
TD4850	50' (15m)	10' (3m)	4' (1.2m)	3' (.9m)	300 lb (136kg)
TD48100	100' (30m)	10' (3m)	4' (1.2m)	3' (.9m)	600 lb (272kg)
TD6050	50' (15m)	12.5' (3.8m)	5' (1.5m)	3.75' (1.15m)	390 lb (176kg)
TD60100	100' (30m)	12.5' (3.8m)	5' (1.5m)	3.75' (1.15m)	780 lb (355kg)
TD7250	50' (15m)	16' (4.88m)	6' (1.8m)	4.5' (1.37m)	490 lb (222kg)
TD72100	100' (30m)	16' (4.88m)	6' (1.8m)	4.5' (1.37m)	980 lb (444kg)
TD9650	50' (15m)	21' (6.4m)	8' (2.4m)	6' (1.8m)	740 lb (335kg)
TD96100	100' (30m)	21' (6.4m)	8' (2.4m)	6' (1.8m)	1480 lb (670kg)



Triple Dams are reusable, repairable, provide flexible layout options, do no substrate damage, and are suitable for worksite dewatering and flood protection in waters up to 6' (1.8m) deep.

Water-inflated dams are quickly deployed, filled with any available source of water, and are very friendly where environmental impact is a concern.



The Triple Dam features two internal stabilizing panels to provide safety and stability for all sizes from 3' (0.9m) to up to 8' (2.4m) high.

# TRIPLE DAM

Our **Water-inflated dams** are quickly deployed, filled with any available source of water, and are very friendly where environmental impact is a concern.

Triple Dam is reusable, provides flexible layout options, does not cause substrate damage, and is suitable for worksite dewatering and flood protection in waters up to 6' (1.8m) deep.

Triple Dam features two internal stabilizing panels which results in three constrained compartments for even greater stability.

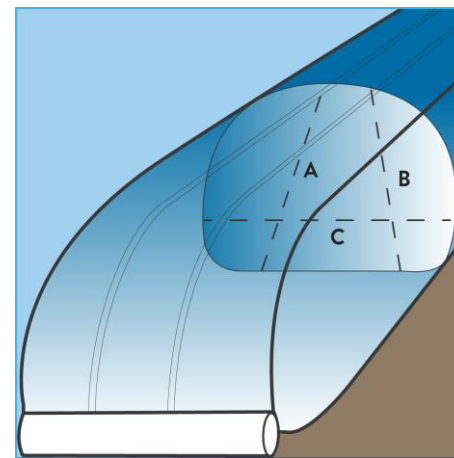




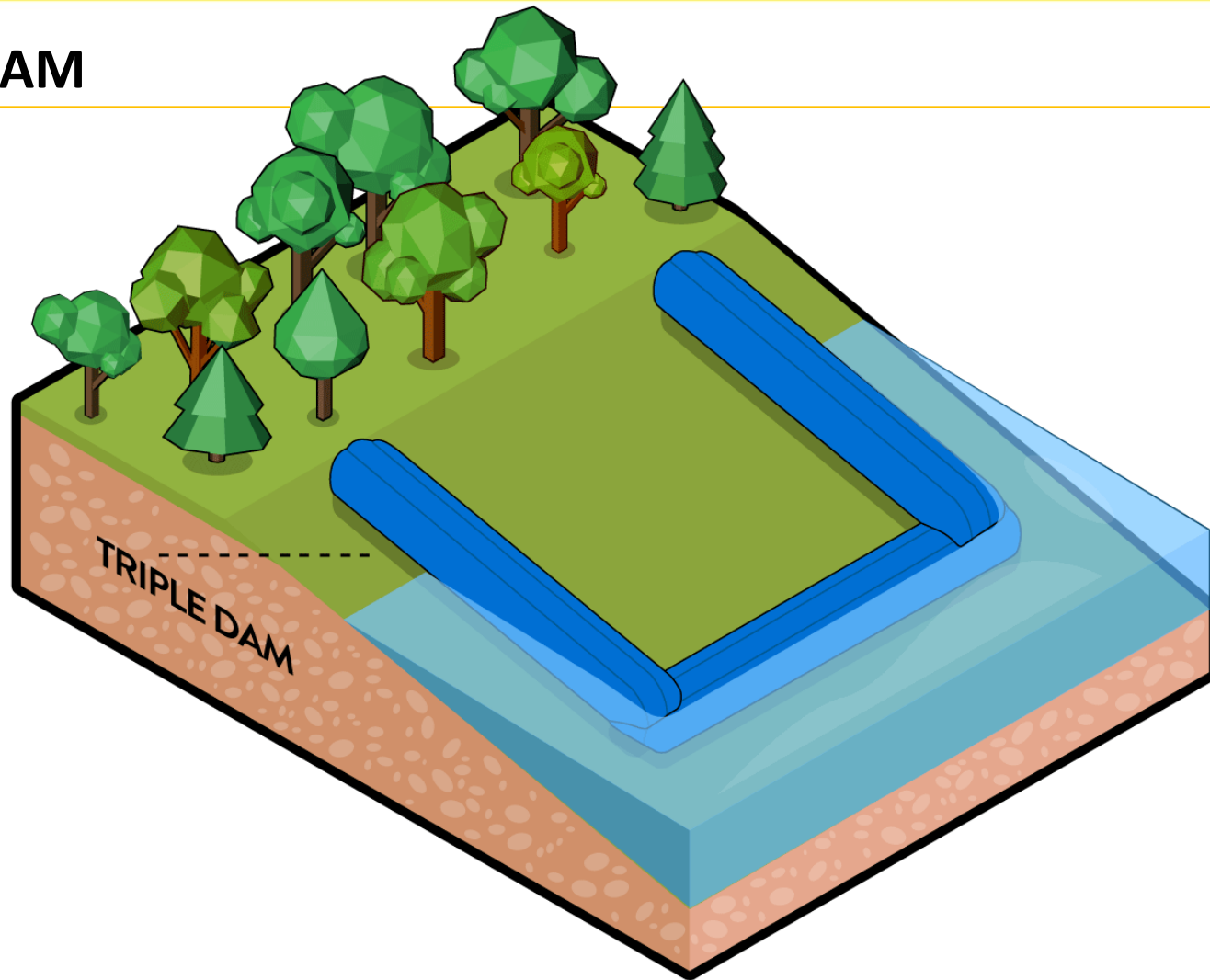
# TRIPLE DAM

▼ What is the difference between Double Dam and Triple Dam?

- Double Dam features one interior stabilizing panel which results in two constrained compartments.
- Triple Dam features two internal stabilizing panels which results in three constrained compartments for even greater stability.



# TRIPLE DAM



▼ Are they reusable?

- Yes. They are designed to be drained and put away for repeated use. That's a major advantage compared to conventional methods such as sandbagging or dirt berms.

# TRIPLE DAM vs SANDBAGS

---

## Can you get sandbags from the council?

Your local council may have some sandbags ready to deploy at times of flooding, but their priority is to protect the public at large. You should check with your own local authority in advance to find out what their policy is and how you can get access to sandbags before flooding starts.

It requires approx. 2,250 sandbags to cover the same area as 1 X 25m **Alfa water dam** @ £200 per 80 sand bags = **£5625**, less the legal disposal cost of the sand & bags – *see regulatory requirements sheet following*)

### ▼ How do they compare to sandbags?

A 3' high sandbag dyke would require approx. 30 sandbags per linear foot. Using conventional filling and placing methods, a rate of 12 bags per manhour can be applied, taking around 125 manhours to build a 50' long dyke 3' high, and in addition a cost of approx. £2.50 per sandbag.

A double/triple Dam at 3'X50' can be **deployed by two people in a couple of minutes** and pumped full of water in less than 30 minutes. Cleanup time and cost benefits are even greater, especially when the reuse of the Double/Triple dam are factored into the cost.



# SANDBAGS – REGULATORY REQUIREMENTS

---

This regulatory position statement (RPS) is for local authorities, and those acting on their behalf, who need to set up temporary collection points to store waste sandbags that have been used during a flood.

If you comply with the conditions in this RPS you do not need to apply for an environmental permit for a waste operation to temporarily store waste sandbags at collection points.

This RPS only applies to:

- storage of waste sandbags carried out by, or on behalf of, the local authority
  - temporary storage (not more than 3 months) of waste sandbags before they are sent for recovery or disposal at a permitted site
  - sandbags that have had a visual or olfactory (smell) assessment (or both) to help determine whether they may be hazardous waste
- This RPS does not apply to any other activity, even if it is under the same legislation. You may still need other permits or licences for other activities you carry out.

## Conditions you must comply with:

- store all waste sandbags in a secure place – one where you have taken reasonable precautions to prevent waste escaping and where members of the public cannot access them.
- segregate and store discarded sandbags that may be contaminated with [hazardous waste](#) in secure containers, or in an area with impermeable pavement and sealed drainage
- use a [registered waste carrier](#) to transport waste sandbags from the temporary collection point to a permitted site for recovery or disposal
- keep records for 2 years that show you have complied with this RPS – you must make these records available to the Environment Agency on request

You must make sure the stored sandbags do not endanger human health or the environment. They must not:

- cause a risk to water, air, soil, plants or animals
- cause a nuisance through noise or odours
- adversely affect the countryside or places of special interest

# COMMON QUESTIONS

---

▼ Do they need anchors or straps?

- No anchors or straps are needed. Double/Triple Dam are engineered using the known properties of water and material weight. Anchors and straps are only needed on single chambered tube systems that would otherwise have no stability.

▼ How big are they?

- Double/Triple Dams are made in standard sizes (1' increments) from 2' high up to 8' high, by 50' long. Longer sections (up to 100' long) are available in any of the heights.

▼ How are they joined together?

- To extend the length of protection required the dams are simply overlapped at the ends. The amount of overlap is generally equal to at least the inflated height.

---